

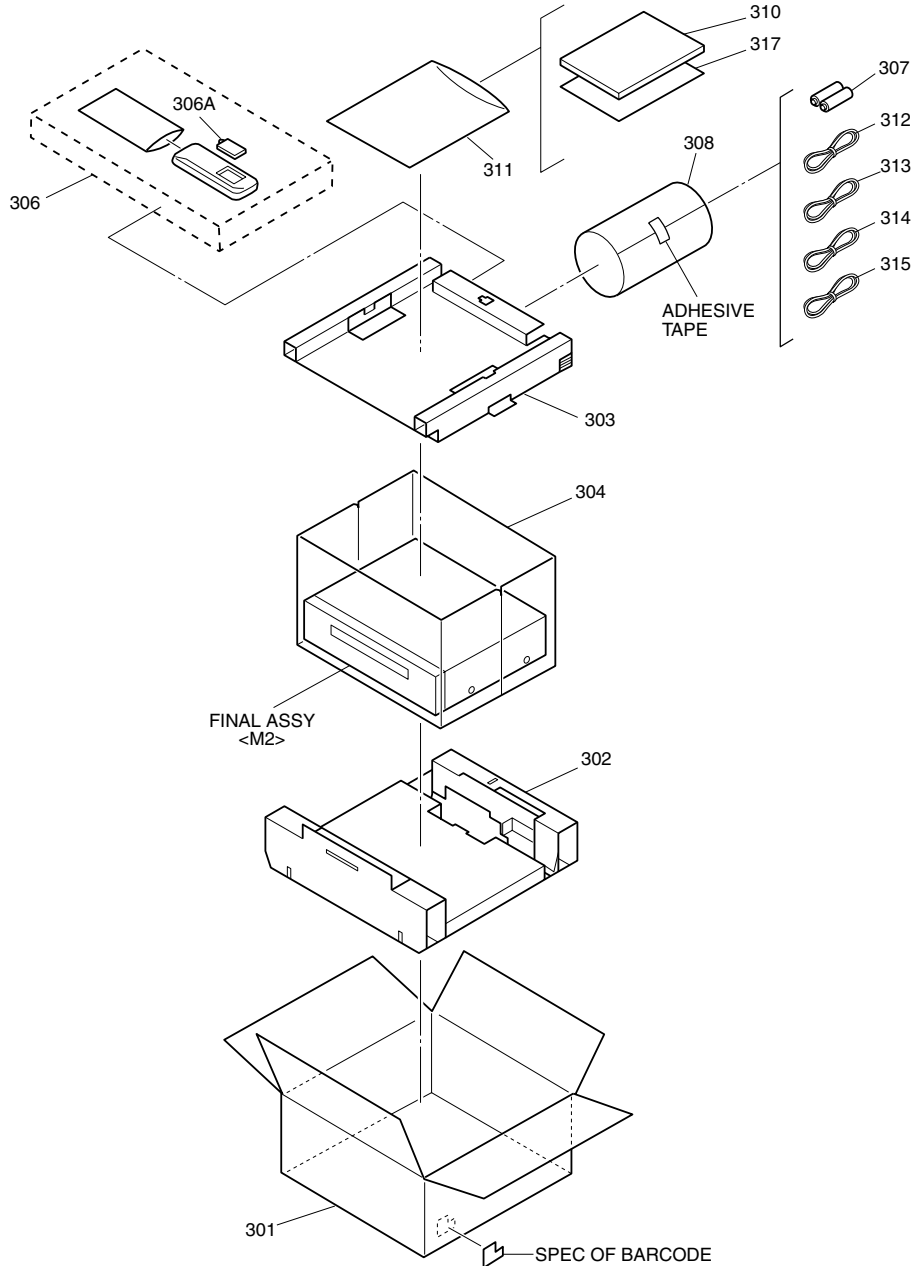
SECTION 5 PARTS LIST

SAFETY PRECAUTION

Parts identified by the \triangle symbol are critical for safety. Replace only with specified part numbers.

5.1 PACKING AND ACCESSORY ASSEMBLY <M1>

The instruction manual to be provided with this product will differ according to the destination.



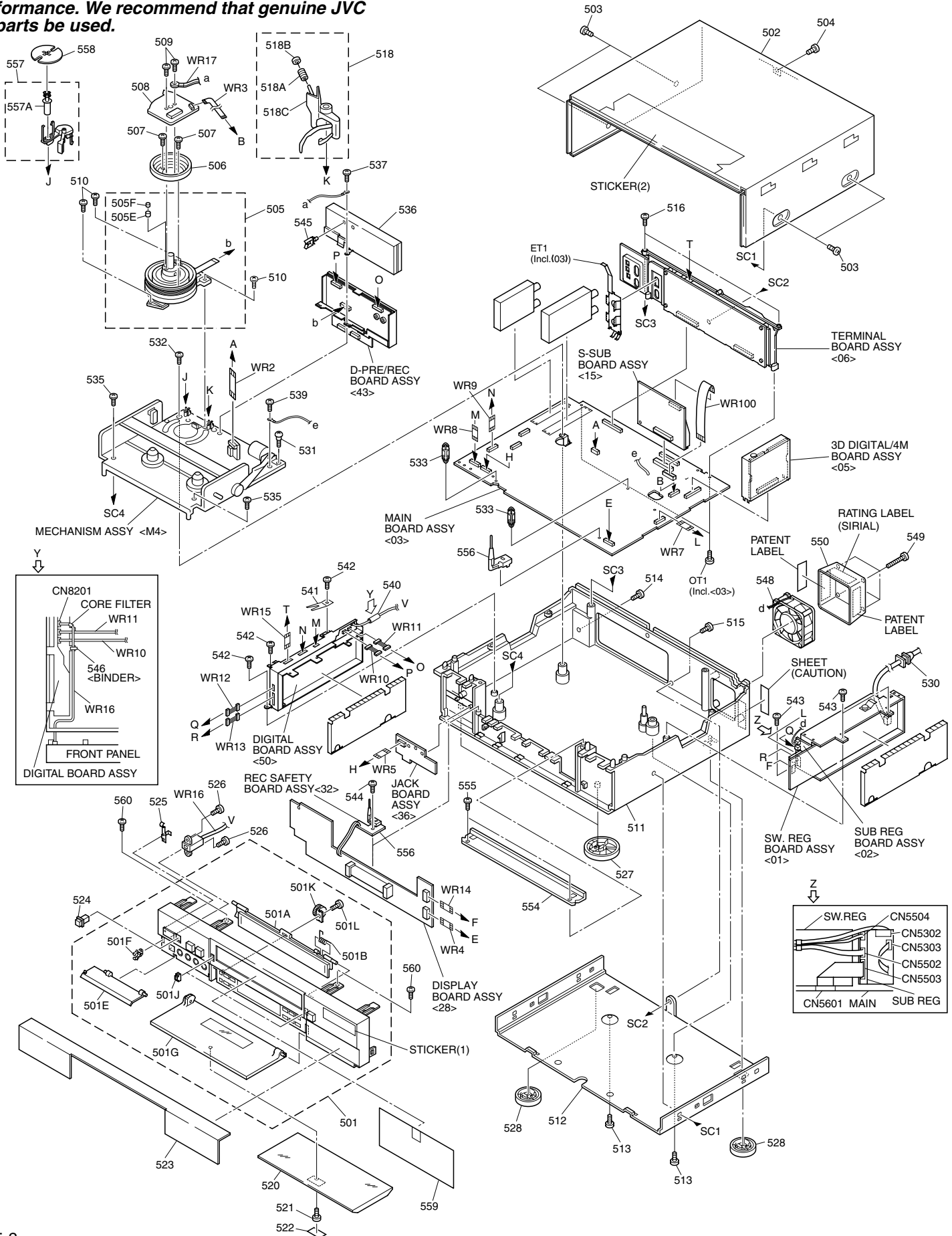
# \triangle REF No.	PART No.	PART NAME, DESCRIPTION	# \triangle REF No.	PART No.	PART NAME, DESCRIPTION

PACKING AND ACCESSORY ASSEMBLY <M1>					
301	LP30930-001A	PACKING CASE	307	-	BATTERY,X2("AA"TYPE)
302	LP30933-001A	CUSHION(BOTTOM)	308	QPC02202230P	POLY BAG
303	LP30934-001A	CUSHION(TOP)	\triangle 310	LPT0542-001A	INST BOOK(EN)
304	PQM30021-105	POLY BAG	\triangle 310	LPT0542-002A	INST BOOK(FR)
306	LP20465-013A	REMOTE CONTROLLER	311	QPC02503530P	POLY BAG
306A	LP40254-009A	COVER(BATTERY)	312	PEAC0294-04	RF CABLE
			313	QAM0004-002	S CABLE
			314	QAM0207-001	AUDIO CABLE
			315	QAL0095-004	LED CABLE ASSY (Controller)
			317	BT-51028-1	REGIST.CARD

5.2 FINAL ASSEMBLY <M2>

BEWARE OF BOGUS PARTS

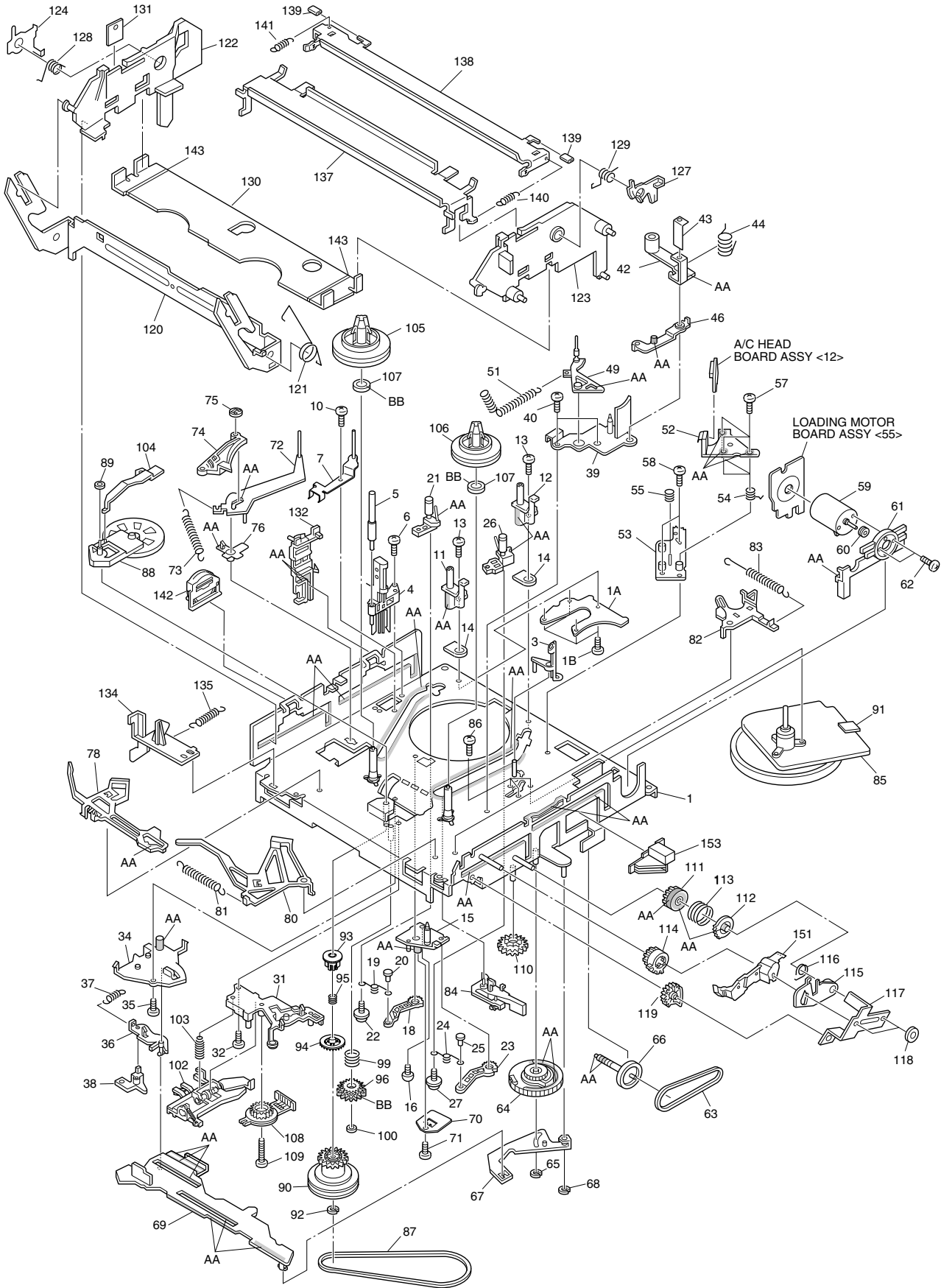
Parts that do not meet specifications may cause trouble in regard to safety and performance. We recommend that genuine JVC parts be used.



#	△	REF No.	PART No.	PART NAME, DESCRIPTION	#	△	REF No.	PART No.	PART NAME, DESCRIPTION

FINAL ASSEMBLY <M2>									
△		501	LP10353-003C	FRONT PANEL ASSY			554	LP30312-001B	BRACKET(CHASSIS)
		501A	LP20968-006A	CASSETTE DOOR			555	QYTDSF3010Z	SCREW,X2
		501B	PQ46448	TORSION SPRING			556	LP40407-001A	KNOB ASSY,X2
		501E	LP20970-003A	DOOR(JACK)			557	LP40370-001E	ROLLER ARM ASSY
		501F	PU60109	CATCHER		557A	PDM4311A-1	ROLLER ASSY	
		501G	LP20969-001A	DOOR		558	PQ44230	INERTIA PLATE	
		501J	QZW0063-001	MAGNET LATCH,X2		559	QPH00702410	POLY SHEET,DOOR	
		501K	QZW0055-003	DAMPER		560	QYTDSF3010Z	SCREW,X2 FRONT PANEL	
		501L	QYTDSF3010Z	SCREW		WR2	QUQ112-0722CG	FFC WIRE,A/C HEAD CN2001	
△		502	PQ11922-52-13	TOP COVER		WR3	QUQ212-0524CG	FFC WIRE,DRUM CN3001	
		503	QYTDSF3010R	SCREW,X4 TOP COVER(SIDE)		WR4	QUQ112-1012CG	FFC WIRE,DISPLAY CN3008	
		504	QYTDSF3010M	SCREW, TOP COVER(REAR)		WR5	QUQ112-1115CG	FFC WIRE,JACK CN901	
		505	LP21000-001A	DRUM SUB ASSY		WR7	QUQ212-2111CG	FFC WIRE,MAIN CN5503	
		505E	LP40323-001A	CONTACT		WR8	QUQ210-1622CC	FFC WIRE,MAIN CN8002	
		505F	LP30004-014A	COMPRESSION SPRING		WR9	QUQ112-1212CG	FFC WIRE,MAIN CN9801	
		506	PDZ0179-1-4	ROTOR ASSY		WR10	WJN0051-001A	E-SH C WIRE C-C,DIGITAL CN601	
		507	QYSPSP3006Z	SCREW,X2		WR11	WJN0051-002A	E-SH C WIRE C-C,DIGITAL CN603	
△		508	QAR0119-001	STATOR ASSY		WR12	QJJ001-046634	SIN CR C-C WIRE,DIGITAL CN5502	
		509	QYSPSPH2606Z	SCREW,X2		WR13	QJJ001-127231	SIN CR C-C WIRE,DIGITAL CN5302	
		510	QYTDST2610Z	SCREW,X3 DRUM		WR14	QUQ212-0510CG	FFC WIRE,DISPLAY CN5303	
△		511	LP10140-008B	BOTTOM CHASSIS		WR15	QUQ210-0932CC	FFC WIRE,DIGITAL CN7104	
△		512	PQ11921-1-4	BOTTOM COVER		WR16	WJN0049-001A	E-SH C WIRE C-C,FRONT	
		513	QYTDSF3010Z	SCREW,X2		WR17	QUB220-13RLRL	GND WIRE,PRE/REC	
		514	QYTDSF3010M	SCREW,DIGITAL					
		515	QYTDSF3010M	SCREW,TERMINAL					
		516	QYTSPFG3010Z	SCREW,X2 TERMINAL					
		518	LP40369-001D	CLEANER ASSY					
		518A	PQ46418-1-2	CLEANER ROLLER					
		518B	PQ46419-1-2	CLEANER					
		518C	LP30407-001D	CLEANER ARM					
		520	LP30806-001A	WINDOW(DOOR)					
		521	QYLSF2040D	SCREW					
		522	LP40588-002A	MARK(D-VHS)					
		523	LP20993-002D	COVER ASSY(FRONT)					
		524	LP40692-001A	WINDOW(IR)					
		525	LP40695-001A	EARTH PLATE(1394)					
		526	QYTDSF2608Z	SCREW,X2 WR16					
		527	PQ46617C	FOOT ASSY,X2					
		528	PQ35504	FOOT(2),X2					
△		530	QMPD190-170-K	POWER CORD					
		531	LP40700-001A	SPECIAL SCREW,MECHA					
		532	QYTDSF4012Z	SCREW,MECHA					
		533	LP40226-001A	PC SUPPORT,X2					
		535	QYTDSF3010Z	SCREW,X2 MECHA					
		536	LP20941-001A	SHIELD CASE(PRE)					
		537	QYTDST2606Z	SCREW,PRE/REC					
		539	QYTDST2606Z	SCREW,MAIN					
		540	QQR0917-001	CORE FILTER					
		541	PQ41556	EARTH PLATE					
		542	QYTDSF3010Z	SCREW,X3 DIGITAL					
		543	QYTDSF3010Z	SCREW,X2 REG					
		544	QYTDSF3010Z	SCREW,REC SAFETY					
		545	PU59311	WIRE CLAMP					
		546	PU43192-4	BINDER					
		548	QAR0174-001	FAN MOTOR					
		549	LP40587-001A	SPECIAL SCREW,X4					
		550	LP20838-002B	COVER(FAN)					

5.3 MECHANISM ASSEMBLY <M4>



Classification	Part No.	Symbol in drawing
Grease	KYODO-SH-P	AA
Oil	COSMO-HV56	BB

NOTE:The section marked in **AA** and **BB** indicate lubrication and greasing areas.

#	△	REF No.	PART No.	PART NAME, DESCRIPTION	#	△	REF No.	PART No.	PART NAME, DESCRIPTION

MECHANISM ASSEMBLY <M4>									
1			LP20884-002F	MAIN DECK ASSY	73			LP30003-010A	TENSION SPRING
1A			LP40275-002B	PLATE(S)	74			LP40109-003D	TENSION BRAKE ASSY
1B			QYTDST2606Z	SCREW,X4	75			PQ46302-1-3	ADJUST PIN
3			LP30492-002B	GIDE POLE GUARD	76			LP30232-002A	TENSION ARM BEARING
4			NAH0001-001	FULL ERASE HEAD	78			LP40532-009B	MAIN BRAKE ASSY (SUPPLY)
5			LP40098-001B	GUIDE POLE(SUPPLY)	80			LP40111-014C	MAIN BRAKE ASSY (TAKE UP)
6			QYTDST2608Z	SCREW	81			LP30003-029A	TENSION SPRING
7			LP40637-002A	TENSION STUD BASE ASSY	82			LP40112-001F	SUB BRAKE ASSY(TAKE UP)
10			QYTDST2606Z	SCREW	83			LP40357-001B	TENSION SPRING
11			LP30409-002C	UV CATCHER 2(SUPPLY)	84			LP40461-001A	CAPSTAN BRAKE ASSY
12			LP30409-002C	UV CATCHER 2(TAKE UP)	85			QAR0132-001	CAPSTAN MOTOR
13			QYTPST2606Z	SCREW,X2	86			QYTDSF2606M	SCREW,X3
14			PQ40919-10	SPACER,X2	87			LP30005-008A	BELT,CAPSTAN MOTOR
15			LP30223-003C	LOADING ARM GEAR SHAFT	88			LP40114-011B	IDLER ARM ASSY
16			QYTDST2606Z	SCREW	89			LP30016-001A	SLIT WASHER
18			LP30224-001B	LOADING ARM GEAR(SUPPLY)	90			LP40593-003B	CLUTCH UNIT 3
19			LP40099-001A	TORSION ARM	91			LP30002-097A	SPACER,CAPSTAN MOTOR
20			LP40100-001A	PIN	92			PQM30017-47	SLIT WASHER
21			LP40101-007A	POLE BASE ASSY(SUPPLY)	93			LP30696-002A	CLUTCH GEAR 4
22			QYSPSTG2606Z	SCREW	94			LP30697-003A	COUPLING GEAR
23			LP40103-002B	LOADING ARM GEAR(TAKE UP)	95			LP40554-002A	COMPRESSION SPRING
24			LP40099-001A	TORSION ARM	96			LP40442-001A	DIRECT GEAR
25			LP40100-001A	PIN	99			LP40483-002A	COMPRESSION SPRING
26			LP40104-008A	POLE BASE ASSY(TAKE UP)	100			LP30016-001A	SLIT WASHER
27			QYSPSTG2606Z	SCREW	102			LP40484-003B	CHANGE LEVER ASSY
31			LP20233-004B	ROTARY ENCODER GUIDE	103			LP40512-002B	COMPRESSION SPRING
32			QYTPST2606Z	SCREW	104			LP30236-002C	IDLER LEVER
34			LP30226-004E	CONTROL PLATE GUIDE	105			LP20237-003B	REEL DISK (SUPPLY)
35			QYTPST2605Z	SCREW	106			LP20238-003B	REEL DISK (TAKE UP)
36			LP30249-003B	TAKE UP LEVER	107			LP30017-015A	SPACER,X2
37			LP30003-006A	TENSION SPRING	108			QSW0554-003	ROTARY ENCODER
38			LP40119-002A	TAKE UP HEAD	109			LP40746-001A	SPECIAL SCREW
39			LP20234-004B	LID GUIDE	110			LP30237-002B	CASSETTE GEAR
40			QYTDST2606Z	SCREW,X2	111			LP30239-002G	LIMIT GEAR(1)
42			LP40105-003A	PINCH ROLLER ARM ASSY	112			LP30240-002G	LIMIT GEAR(2)
43			LP40753-001A	PINCH ROLLER SHEET 3	113			LP40136-001E	TORSION SPRING
44			LP40148-002A	TORSION SPRING	114			LP30242-002B	RELAY GEAR
46			LP40149-001C	PRESS LEVER ASSY	115			LP30339-002E	OPENER GUIDE
49			LP40106-007A	GUIDE ARM ASSY	116			LP40545-001A	TORSION SPRING
51			LP40134-002A	TENSION SPRING	117			LP40214-001B	C.H.BRACKET
52			QAH0010-005	AC HEAD	118			PQM30017-47	SLIT WASHER,X2
53			LP30228-001C	HEAD BASE	119			LP30243-002A	DRIVE GEAR
54			LP30004-013A	COMPRESSION SPRING,X3	120			LP20240-001G	DRIVE ARM
55			LP40236-001A	COMPRESSION SPRING	121			LP40137-001A	TORSION SPRING
57			LP40213-002B	SPECIAL SCREW,X3	122			LP10081-002L	SIDE HOLDER(L)
58			QYTDST2608Z	SCREW,X2	123			LP10082-002U	SIDE HOLDER(R)
59			QAR0023-001	LOADING MOTOR	124			LP30255-006B	LOCK LEVER(L)
60			PQ43546-1-2	MOTOR PULLEY	127			LP30256-001H	LOCK LEVER(R)
61			LP30230-003D	MOTOR GUIDE	128			LP40168-001A	TORSION SPRING(L)
62			QYTPSP3003Z	SCREW,X2	129			LP40218-001B	TORSION SPRING(R)
63			LP30005-003A	BELT,LOADING MOTOR	130			LP30257-001G	CASSETTE HOLDER
64			LP20791-002D	CONTROL CAM	131			PQ40919-30	SPACER,EARTH PLATE
65			PQM30017-24	SLIT WASHER	132			LP30244-002G	GUIDE RAIL
66			LP40120-001A	WORM GEAR	134			LP30245-002F	REC SAFETY LEVER
67			LP40107-002A	LINK LEVER ASSY	135			LP30003-004A	TENSION SPRING
68			PQM30017-24	SLIT WASHER	137			LP20578-001C	TOP GUIDE
69			LP10284-002E	CONTROL PLATE	138			LP30500-001C	HOLD PLATE
70			LP40379-001B	CONTROL BRACKET(1)	139			LP40450-003A	PAD,X2
71			QYTDSF2608M	SCREW	140			LP30003-025B	TENSION SPRING
72			LP40108-002A	TENSION ARM ASSY	141			LP30003-024A	TENSION SPRING
					142			LP40481-003A	ROLLER CAM ASSY
					143			LP30019-014A	PAD,X2
					151			LP20324-003B	DOOR OPENER
					153			LP30493-001B	START SENSOR CAP

5.4 ELECTRICAL PARTS LIST

#	△ REF No.	PART No.	PART NAME, DESCRIPTION

SW.REG BOARD ASSEMBLY <01>			
PW1		LPA10118-02B1	SW.REG BOARD ASSY
IC5101		STR-F6555	IC
IC5301		L5431	IC
		or MM1431AT	IC
		or UTCTL431	IC
IC5302		PQ5EV3	IC
IC5303		PQ5EV3	IC
IC5304		PQ5EV3	IC
IC5305		PQ5EV3	IC
IC5306		PQ15RW11	IC
IC5307		PQ15RW21	IC
Q5301		2SD2144S/UV/-T	TRANSISTOR
Q5302		DTA114EU	TRANSISTOR
		or PDTA114EU	TRANSISTOR
		or RN2302	TRANSISTOR
		or UN5111	TRANSISTOR
Q5303		DTC114EU	TRANSISTOR
		or PDTC114EU	TRANSISTOR
		or UN5211	TRANSISTOR
		or RN1302	TRANSISTOR
Q5304		2SD1819A/RS/-X	TRANSISTOR
		or 2PC4081/R/-X	TRANSISTOR
		or 2SC4081/RS/-X	TRANSISTOR
Q5305		DTA114EU	TRANSISTOR
		or PDTA114EU	TRANSISTOR
		or UN5111	TRANSISTOR
		or RN2302	TRANSISTOR
D5001		D3SBA60	BRIDGE DIODE
D5101		SARS01	DIODE
D5102		AU01Z	FR DIODE
		or ERA18-02-T2	FR DIODE
		or PG104RS	FR DIODE
		or 10ELS2	FR DIODE
		or 1SR153-400-T2	FR DIODE
D5103		QUY153-050Y	IM BUS WIRE
D5201		AK04	DIODE
		or 1S4	SB DIODE
		or 11EQS04	SB DIODE
D5202		SB640FCT	SB DIODE
		or FSQ05A04B	SB DIODE
		or YG801C04	SB DIODE
		or SF5SC4	SB DIODE
D5204		SB640FCT	SB DIODE
		or FSQ05A04B	SB DIODE
		or SF5SC4	SB DIODE
		or YG801C04	SB DIODE
D5205		FML-12S	FR DIODE
		or ER602FCT	FR DIODE
		or YG901C2	FR DIODE
		or FCF06A20	FR DIODE
		or SF5LC20U	FR DIODE
D5207		10ELS2	FR DIODE
		or 1SR153-400-T2	FR DIODE
		or ERA18-02-T2	FR DIODE
		or PG104RS	FR DIODE
D5208		AU01Z	FR DIODE
		or ERA18-02-T2	FR DIODE

#	△ REF No.	PART No.	PART NAME, DESCRIPTION
		or PG104RS	FR DIODE
		or 1SR153-400-T2	FR DIODE
		or 10ELS2	FR DIODE
D5209		AU01Z	FR DIODE
		or PG104RS	FR DIODE
		or 1SR153-400-T2	FR DIODE
		or 10ELS2	FR DIODE
		or ERA18-02-T2	FR DIODE
D5301		MTZJ15A	ZENER DIODE
		or RD15ES/B1/-T2	ZENER DIODE
D5302		MTZJ3.3B	ZENER DIODE
		or RD3.3ES/B2/-T2	ZENER DIODE
D5303		1SS133	DIODE
		or 1SS270A	DIODE
D5304		1SS355	DIODE
D5310		1SS133	DIODE
		or 1SS270A	DIODE
D5311		MTZJ27C	ZENER DIODE
		or RD27ES/B3/-T2	ZENER DIODE
D5312		FMM-24U	DIODE
D5314		MTZJ7.5A	ZENER DIODE
		or RD7.5ES/B1/-T2	ZENER DIODE
D5315		FMM-24U	DIODE
△ R5001		QRZ9046-475Z	RESISTOR 4.7MΩ,1/2W
R5101		QRG02GJ-683	OMF RESISTOR 68kΩ,2W
R5102		QRE141J-560Y	RESISTOR 56kΩ,1/4W
R5103		NRSA02J-103X	MG RESISTOR 10kΩ,1/10W
R5104		QRE141J-681Y	RESISTOR 680Ω,1/4W
R5105		QRT01DJ-R27X	MF RESISTOR 0.27Ω,1W
R5106		QRE141J-684Y	RESISTOR 680kΩ,1/4W
△ R5107		QRZ9052-470Y	FUSI RESISTOR 47Ω,1/4W
R5301		QRE141J-1R8Y	RESISTOR 1.8Ω,1/4W
R5304		NRSA02J-102X	MG RESISTOR 1kΩ,1/10W
R5305		NRSA02J-222X	MG RESISTOR 2.2kΩ,1/10W
R5306		NRSA02J-102X	MG RESISTOR 1kΩ,1/10W
R5307		NRVA02D-133X	CMF RESISTOR 13kΩ,1/10W
R5308		NRVA02D-682X	CMF RESISTOR 6.8kΩ,1/10W
R5309		NRVA02D-472X	CMF RESISTOR 4.7kΩ,1/10W
R5310		NRVA02D-682X	CMF RESISTOR 6.8kΩ,1/10W
R5311		NRVA02D-223X	CMF RESISTOR 22kΩ,1/10W
R5312		NRVA02D-123X	CMF RESISTOR 12kΩ,1/10W
R5313		NRVA02D-153X	CMF RESISTOR 15kΩ,1/10W
R5314		NRVA02D-113X	CMF RESISTOR 11kΩ,1/10W
△ R5315		QRZ9005-101X	FUSI RESISTOR 100Ω,1/4W
R5316		QRL02DJ-821X	OMF RESISTOR 820Ω,2W
△ R5317		QRZ9006-4R7X	FUSI RESISTOR 4.7Ω,1/4W
R5318		NRSA02J-221X	MG RESISTOR 220Ω,1/10W
R5319		NRSA02J-472X	MG RESISTOR 4.7kΩ,1/10W
R5320		NRSA02J-152X	MG RESISTOR 1.5kΩ,1/10W
R5321		NRVA02D-562X	CMF RESISTOR 5.6kΩ,1/10W
R5322		NRVA02D-392X	CMF RESISTOR 3.9kΩ,1/10W
R5323		NRSA02J-122X	MG RESISTOR 1.2kΩ,1/10W
R5324		NRSA02J-681X	MG RESISTOR 680Ω,1/10W
R5325		NRSA02J-103X	MG RESISTOR 10kΩ,1/10W
R5326		NRSA02J-391X	MG RESISTOR 390Ω,1/10W
R5327		NRVA02D-563X	CMF RESISTOR 56kΩ,1/10W
R5328		NRVA02D-153X	CMF RESISTOR 15kΩ,1/10W
R5329		NRVA02D-163X	CMF RESISTOR 16kΩ,1/10W
R5331		NRVA02D-682X	CMF RESISTOR 6.8kΩ,1/10W
R5332		NRVA02D-202X	CMF RESISTOR 2kΩ,1/10W
R5333		NRSA02J-103X	MG RESISTOR 10kΩ,1/10W

#	△ REF No.	PART No.	PART NAME, DESCRIPTION
D5510		MTZJ12A	ZENER DIODE
		or RD12ES/B1/-T2	ZENER DIODE
R5501		NRSA02J-471X	MG RESISTOR 470Ω,1/10W
R5502		NRSA02J-473X	MG RESISTOR 47kΩ,1/10W
R5503		NRSA02J-102X	MG RESISTOR 1kΩ,1/10W
R5504		QRE141J-102Y	RESISTOR 1kΩ,1/4W
R5505		NRSA02J-471X	MG RESISTOR 470Ω,1/10W
R5506		QRE141J-102Y	RESISTOR 1kΩ,1/4W
R5507		NRSA02J-0R0X	MG RESISTOR 0Ω,1/10W
R5508		NRSA02J-103X	MG RESISTOR 10kΩ,1/10W
R5509		NRSA02J-471X	MG RESISTOR 470Ω,1/10W
R5510		NRSA02J-102X	MG RESISTOR 1kΩ,1/10W
R5511		NRSA02J-122X	MG RESISTOR 1.2kΩ,1/10W
R5512		QRE123J-390X	RESISTOR 39Ω,1/2W
R5513		NRSA02J-103X	MG RESISTOR 10kΩ,1/10W
R5514		NRSA02J-102X	MG RESISTOR 1kΩ,1/10W
B5502		QUY160-100Y	IM BUS WIRE
C5501		QETN1CM-107	E CAPACITOR 100μF,16V
C5503		QETN1CM-107	E CAPACITOR 100μF,16V
C5504		NCB21HK-103X	CAPACITOR 0.01μF,50V
L5501		QQL231J-R22Y	COIL 0.22μH
CN5501		QGB2530J1-14	CONNECTOR,(1-14)SW.REG
CN5502		QGA2001F1-04	CONNECTOR,(1-4)DIGITAL
CN5503		QGF1207F1-21	FPC CONNECTOR,(1-21)MAIN
CN5504		QGA2001F1-02	CONNECTOR,(1-2)

MAIN BOARD ASSEMBLY <03>

PW1	LPA10135-03D	MAIN BOARD ASSY
IC1	JCP8022-NSD-2	IC
IC2601	BU4052BCF	IC
IC2602	BA15218F-XE	IC
IC2603	BU4052BCF	IC
IC2604	BA15218F-XE	IC
IC2605	BU4053BCF	IC
IC2606	BA15218F-XE	IC
IC3001	HD6432194SXD28F	IC(MCU)
IC3002	S-80727AN-DQ-X	IC
	or R3111H271A	IC
	or S-80827ANUP-W	IC
IC3003	AT24C08-10PC	IC
	or 24LC08B/P	IC
IC3004	BA6956AN	IC
IC3005	BU2090FS	IC
IC3006	BU2090FS	IC
IC3007	BU2090FS	IC
IC6501	UPC1854AGT	IC
Q1	2SC4081/S/-X	TRANSISTOR
Q2	2SC4081/S/-X	TRANSISTOR
Q3	2SC4081/S/-X	TRANSISTOR
Q4	2SC4081/S/-X	TRANSISTOR
Q5	2SA1576A/QR/-X	TRANSISTOR
	or 2PA1576R/R/-X	TRANSISTOR
Q7	2SC4081/QRS/-X	TRANSISTOR
	or 2PC4081/R/-X	TRANSISTOR
Q8	2SC4081/QRS/-X	TRANSISTOR
	or 2PC4081/R/-X	TRANSISTOR
Q9	2SA1576A/QR/-X	TRANSISTOR

#	△ REF No.	PART No.	PART NAME, DESCRIPTION
		or 2PA1576R/R/-X	TRANSISTOR
Q12		2SA1576A/QR/-X	TRANSISTOR
		or 2PA1576R/R/-X	TRANSISTOR
Q17		DTC144WU	TRANSISTOR
		or PDTC144WU	TRANSISTOR
		or UN521E	TRANSISTOR
		or RN1309	TRANSISTOR
Q21		2SA1576A/QR/-X	TRANSISTOR
		or 2PA1576R/R/-X	TRANSISTOR
Q38		2SC4081/QRS/-X	TRANSISTOR
		or 2PC4081/R/-X	TRANSISTOR
Q46		DTA114WU	TRANSISTOR
Q47		DTA114WU	TRANSISTOR
Q48		2SC4081/S/-X	TRANSISTOR
Q49		2SC4081/S/-X	TRANSISTOR
Q251		DTC144WU	TRANSISTOR
Q252		2SA1576A/QR/-X	TRANSISTOR
Q253		2SC4081/QRS/-X	TRANSISTOR
Q1701		2SA1576A/QR/-X	TRANSISTOR
Q1702		2SA1576A/QR/-X	TRANSISTOR
Q1703		DTC144WU	TRANSISTOR
		or PDTC144WU	TRANSISTOR
		or RN1309	TRANSISTOR
		or UN521E	TRANSISTOR
Q1704		2SA1576A/QR/-X	TRANSISTOR
Q1705		DTC144WU	TRANSISTOR
		or PDTC144WU	TRANSISTOR
		or RN1309	TRANSISTOR
		or UN521E	TRANSISTOR
Q1706		DTC144WU	TRANSISTOR
		or PDTC144WU	TRANSISTOR
		or RN1309	TRANSISTOR
		or UN521E	TRANSISTOR
Q2001		2SC4081/QRS/-X	TRANSISTOR
		or 2SD1819A/QRS/-X	TRANSISTOR
		or 2PC4081/R/-X	TRANSISTOR
Q2002		2SC4081/QRS/-X	TRANSISTOR
		or 2PC4081/R/-X	TRANSISTOR
		or 2SD1819A/QRS/-X	TRANSISTOR
Q2003		DTA144WU	TRANSISTOR
		or PDTA144WU	TRANSISTOR
		or RN2309	TRANSISTOR
		or UN511E	TRANSISTOR
Q2004		DTC144WU	TRANSISTOR
		or PDTC144WU	TRANSISTOR
		or RN1309	TRANSISTOR
		or UN521E	TRANSISTOR
Q2006		2SC4081/QRS/-X	TRANSISTOR
		or 2SD1819A/QRS/-X	TRANSISTOR
		or 2PC4081/R/-X	TRANSISTOR
Q2051		2SC4081/QRS/-X	TRANSISTOR
		or 2SD1819A/QRS/-X	TRANSISTOR
		or 2PC4081/R/-X	TRANSISTOR
Q2052		2SA1576A/QR/-X	TRANSISTOR
		or 2PA1576R/R/-X	TRANSISTOR
		or 2SB1218A/QR/-X	TRANSISTOR
Q2053		DTC144WU	TRANSISTOR
		or PDTC144WU	TRANSISTOR
		or RN1309	TRANSISTOR
		or UN521E	TRANSISTOR
Q2054		2SA1576A/QR/-X	TRANSISTOR

#	△	REF No.	PART No.	PART NAME, DESCRIPTION	#	△	REF No.	PART No.	PART NAME, DESCRIPTION
			or 2SB1218A/QR/-X	TRANSISTOR				or RN1311	TRANSISTOR
			or 2PA1576/R/-X	TRANSISTOR	Q3012		UN521E	TRANSISTOR	TRANSISTOR
Q2251			DTA144WU	TRANSISTOR			or DTC144WU	TRANSISTOR	TRANSISTOR
			or PDTA144WU	TRANSISTOR			or RN1309	TRANSISTOR	TRANSISTOR
			or RN2309	TRANSISTOR			or PDTC144WU	TRANSISTOR	TRANSISTOR
			or UN511E	TRANSISTOR	Q3013		UN521E	TRANSISTOR	TRANSISTOR
Q2275			2SC4081/QRS/-X	TRANSISTOR			or DTC144WU	TRANSISTOR	TRANSISTOR
			or 2SD1819A/QRS/-X	TRANSISTOR			or PDTC144WU	TRANSISTOR	TRANSISTOR
			or 2PC4081/R/-X	TRANSISTOR	Q3014		UN521E	TRANSISTOR	TRANSISTOR
Q2277			2SC4081/QRS/-X	TRANSISTOR			or DTC144WU	TRANSISTOR	TRANSISTOR
			or 2PC4081/R/-X	TRANSISTOR			or RN1309	TRANSISTOR	TRANSISTOR
			or 2SD1819A/QRS/-X	TRANSISTOR	Q3015		UN5211	TRANSISTOR	TRANSISTOR
Q2278			2SC4081/QRS/-X	TRANSISTOR			or DTC114EU	TRANSISTOR	TRANSISTOR
			or 2SD1819A/QRS/-X	TRANSISTOR			or RN1302	TRANSISTOR	TRANSISTOR
			or 2PC4081/R/-X	TRANSISTOR			or PDTC114EU	TRANSISTOR	TRANSISTOR
Q2279			DTA114EU	TRANSISTOR	Q4001		UN5211	TRANSISTOR	TRANSISTOR
			or PDTA114EU	TRANSISTOR			or DTC114EU	TRANSISTOR	TRANSISTOR
			or RN2302	TRANSISTOR			or PDTC114EU	TRANSISTOR	TRANSISTOR
			or UN5111	TRANSISTOR	Q4002		UN5211	TRANSISTOR	TRANSISTOR
Q2601			DTC144WU	TRANSISTOR			or DTC114EU	TRANSISTOR	TRANSISTOR
			or PDTC144WU	TRANSISTOR			or RN1302	TRANSISTOR	TRANSISTOR
			or RN1309	TRANSISTOR	Q4003		UN5211	TRANSISTOR	TRANSISTOR
			or UN521E	TRANSISTOR			or DTC114EU	TRANSISTOR	TRANSISTOR
Q2602			DTA114EU	TRANSISTOR			or PDTC114EU	TRANSISTOR	TRANSISTOR
			or PDTA114EU	TRANSISTOR			or RN1302	TRANSISTOR	TRANSISTOR
			or UN5111	TRANSISTOR	Q6501		DTC143TU	TRANSISTOR	TRANSISTOR
			or RN2302	TRANSISTOR	Q6502		DTC143TU	TRANSISTOR	TRANSISTOR
Q2603			DTC114TU	TRANSISTOR	Q6551		2SC1740S/QRS/-T	TRANSISTOR	TRANSISTOR
			or PDTC114TU	TRANSISTOR			or 2SC3199/YG/-T	TRANSISTOR	TRANSISTOR
			or RN1311	TRANSISTOR	Q7105		2SC1317/RS/-T	TRANSISTOR	TRANSISTOR
			or UN5215	TRANSISTOR	D251		DA204U	DIODE	DIODE
Q2604			DTC114TU	TRANSISTOR	D2001		1SS355	DIODE	DIODE
			or PDTC114TU	TRANSISTOR	D2121		MTZJ8.2C	ZENER DIODE	ZENER DIODE
			or UN5215	TRANSISTOR	D2601		DAN202U	DIODE	DIODE
			or RN1311	TRANSISTOR	D3001		LNB2301L01VI	LE DIODE	LE DIODE
Q3001			2SD1819A/QRS/-X	TRANSISTOR	D3002		1SS133	DIODE	DIODE
			or 2SC4081/QRS/-X	TRANSISTOR	D3003		RD39ES/B3/-T2	ZENER DIODE	ZENER DIODE
			or 2PC4081/R/-X	TRANSISTOR			or MTZJ39C	ZENER DIODE	ZENER DIODE
Q3002			PTZ-NV16	PHOTO TRANSISTOR	D3004		11ES2	DIODE	DIODE
			or PTZ-NV16A	PHOTO TRANSISTOR			or 1A3G	DIODE	DIODE
Q3003			PTZ-NV16	PHOTO TRANSISTOR	D3005		11ES2	DIODE	DIODE
			or PTZ-NV16A	PHOTO TRANSISTOR			or 1A3G	DIODE	DIODE
Q3004			2SD1819A/QRS/-X	TRANSISTOR	D3006		11ES2	DIODE	DIODE
			or 2PC4081/R/-X	TRANSISTOR			or 1A3G	DIODE	DIODE
			or 2SC4081/QRS/-X	TRANSISTOR	D3007		11ES2	DIODE	DIODE
Q3005			2SD1819A/QRS/-X	TRANSISTOR			or 1A3G	DIODE	DIODE
			or 2SC4081/QRS/-X	TRANSISTOR	D3008		11ES2	DIODE	DIODE
			or 2PC4081/R/-X	TRANSISTOR			or 1A3G	DIODE	DIODE
Q3006			2SB1256	TRANSISTOR	D3009		11ES2	DIODE	DIODE
Q3007			2SB1256	TRANSISTOR			or 1A3G	DIODE	DIODE
Q3008			UN5111	TRANSISTOR	D3010		QUY153-050Y	IM BUS WIRE	IM BUS WIRE
			or RN2302	TRANSISTOR	D3011		1SS133	DIODE	DIODE
			or DTA114EU	TRANSISTOR	D4001		QUY153-050Y	IM BUS WIRE	IM BUS WIRE
			or PDTA114EU	TRANSISTOR	D4002		QUY153-050Y	IM BUS WIRE	IM BUS WIRE
Q3009			DTC114TU	TRANSISTOR	D6002		HZ30-2L-T2	ZENER DIODE	ZENER DIODE
			or PDTC114TU	TRANSISTOR			or HZ30-2LTD	Z DIODE (M)	Z DIODE (M)
			or UN5215	TRANSISTOR	D6551		MTZJ10B	ZENER DIODE	ZENER DIODE
			or RN1311	TRANSISTOR					
Q3010			DTC114TU	TRANSISTOR					
			or PDTC114TU	TRANSISTOR					
			or UN5215	TRANSISTOR					

#	△ REF No.	PART No.	PART NAME, DESCRIPTION	#	△ REF No.	PART No.	PART NAME, DESCRIPTION
R1		NRVA02D-622X	CMF RESISTOR 6.2kΩ,1/10W	R2017		NRSA02J-153X	MG RESISTOR 15kΩ,1/10W
R2		NRVA02D-152X	CMF RESISTOR 1.5kΩ,1/10W	R2018		NRSA02J-472X	MG RESISTOR 4.7kΩ,1/10W
R3		NRSA02J-471X	MG RESISTOR 470Ω,1/10W	R2019		NRSA02J-472X	MG RESISTOR 4.7kΩ,1/10W
R5		NRSA02J-0R0X	MG RESISTOR 0Ω,1/10W	R2020		NRSA02J-102X	MG RESISTOR 1kΩ,1/10W
R6		NRSA02J-103X	MG RESISTOR 10kΩ,1/10W	R2021		NRSA02J-0R0X	MG RESISTOR 0Ω,1/10W
R7		NRSA02J-102X	MG RESISTOR 1kΩ,1/10W	R2022		NRSA02J-102X	MG RESISTOR 1kΩ,1/10W
R8		NRSA02J-0R0X	MG RESISTOR 0Ω,1/10W	R2023		NRSA02J-473X	MG RESISTOR 47kΩ,1/10W
R9		NRSA02J-0R0X	MG RESISTOR 0Ω,1/10W	R2053		NRSA02J-472X	MG RESISTOR 4.7kΩ,1/10W
R21		NRSA02J-101X	MG RESISTOR 100Ω,1/10W	R2054		NRSA02J-123X	MG RESISTOR 12kΩ,1/10W
R22		NRSA02J-101X	MG RESISTOR 100Ω,1/10W	R2055		NRSA02J-3R3X	MG RESISTOR 3.3Ω,1/10W
R23		NRSA02J-102X	MG RESISTOR 1kΩ,1/10W	R2056		NRSA02J-820X	MG RESISTOR 82Ω,1/10W
R25		NRSA02J-103X	MG RESISTOR 10kΩ,1/10W	R2057		NRSA02J-473X	MG RESISTOR 47kΩ,1/10W
R26		NRSA02J-822X	MG RESISTOR 8.2kΩ,1/10W	R2058		NRSA02J-183X	MG RESISTOR 18kΩ,1/10W
R27		NRSA02J-102X	MG RESISTOR 1kΩ,1/10W	R2059		NRSA02J-473X	MG RESISTOR 47kΩ,1/10W
R28		NRSA02J-102X	MG RESISTOR 1kΩ,1/10W	R2060		NRSA02J-183X	MG RESISTOR 18kΩ,1/10W
R29		NRSA02J-222X	MG RESISTOR 2.2kΩ,1/10W	R2121		QRE141J-151Y	RESISTOR 150Ω,1/4W
R30		NRSA02J-0R0X	MG RESISTOR 0Ω,1/10W	R2202		NRSA02J-682X	MG RESISTOR 6.8kΩ,1/10W
R31		NRSA02J-122X	MG RESISTOR 1.2kΩ,1/10W	R2203		NRSA02J-682X	MG RESISTOR 6.8kΩ,1/10W
R32		NRSA02J-102X	MG RESISTOR 1kΩ,1/10W	R2204		NRSA02J-332X	MG RESISTOR 3.3kΩ,1/10W
R34		NRSA02J-223X	MG RESISTOR 22kΩ,1/10W	R2205		NRSA02J-332X	MG RESISTOR 3.3kΩ,1/10W
R36		NRSA02J-182X	MG RESISTOR 1.8kΩ,1/10W	R2206		NRSA02J-101X	MG RESISTOR 100Ω,1/10W
R39		NRSA02J-0R0X	MG RESISTOR 0Ω,1/10W	R2207		NRSA02J-332X	MG RESISTOR 3.3kΩ,1/10W
R42		NRSA02J-681X	MG RESISTOR 680Ω,1/10W	R2218		NRSA02J-393X	MG RESISTOR 39kΩ,1/10W
R44		NRSA02J-473X	MG RESISTOR 47kΩ,1/10W	R2223		NRSA02J-123X	MG RESISTOR 12kΩ,1/10W
R45		NRSA02J-153X	MG RESISTOR 15kΩ,1/10W	R2228		NRSA02J-0R0X	MG RESISTOR 0Ω,1/10W
R46		NRSA02J-331X	MG RESISTOR 330Ω,1/10W	R2251		NRSA02J-102X	MG RESISTOR 1kΩ,1/10W
R48		NRSA02J-102X	MG RESISTOR 1kΩ,1/10W	R2281		NRSA02J-102X	MG RESISTOR 1kΩ,1/10W
R68		NRSA02J-222X	MG RESISTOR 2.2kΩ,1/10W	R2283		NRSA02J-222X	MG RESISTOR 2.2kΩ,1/10W
R70		NRSA02J-0R0X	MG RESISTOR 0Ω,1/10W	R2284		NRSA02J-222X	MG RESISTOR 2.2kΩ,1/10W
R77		NRSA02J-223X	MG RESISTOR 22kΩ,1/10W	R2285		NRSA02J-102X	MG RESISTOR 1kΩ,1/10W
R90		NRSA02J-471X	MG RESISTOR 470Ω,1/10W	R2289		NRSA02J-0R0X	MG RESISTOR 0Ω,1/10W
R92		NRSA02J-152X	MG RESISTOR 1.5kΩ,1/10W	R2290		NRSA02J-0R0X	MG RESISTOR 0Ω,1/10W
R93		NRSA02J-102X	MG RESISTOR 1kΩ,1/10W	R2291		NRSA02J-0R0X	MG RESISTOR 0Ω,1/10W
R94		NRSA02J-0R0X	MG RESISTOR 0Ω,1/10W	R2601		NRSA02J-103X	MG RESISTOR 10kΩ,1/10W
R104		NRSA02J-682X	MG RESISTOR 6.8kΩ,1/10W	R2602		NRSA02J-223X	MG RESISTOR 22kΩ,1/10W
R113		NRSA02J-101X	MG RESISTOR 100Ω,1/10W	R2603		NRSA02J-102X	MG RESISTOR 1kΩ,1/10W
R251		NRSA02J-103X	MG RESISTOR 10kΩ,1/10W	R2604		NRSA02J-102X	MG RESISTOR 1kΩ,1/10W
R252		NRSA02J-152X	MG RESISTOR 1.5kΩ,1/10W	R2605		NRSA02J-223X	MG RESISTOR 22kΩ,1/10W
R253		NRSA02J-123X	MG RESISTOR 12kΩ,1/10W	R2606		NRSA02J-221X	MG RESISTOR 220Ω,1/10W
R254		NRSA02J-822X	MG RESISTOR 8.2kΩ,1/10W	R2607		NRSA02J-221X	MG RESISTOR 220Ω,1/10W
R255		NRSA02J-223X	MG RESISTOR 22kΩ,1/10W	R2610		NRSA02J-103X	MG RESISTOR 10kΩ,1/10W
R256		NRSA02J-104X	MG RESISTOR 100kΩ,1/10W	R2611		NRSA02J-102X	MG RESISTOR 1kΩ,1/10W
R257		NRSA02J-331X	MG RESISTOR 330Ω,1/10W	R2612		NRSA02J-102X	MG RESISTOR 1kΩ,1/10W
R1701		NRSA02J-221X	MG RESISTOR 220Ω,1/10W	R2613		NRSA02J-102X	MG RESISTOR 1kΩ,1/10W
R1702		NRSA02J-681X	MG RESISTOR 680Ω,1/10W	R2614		NRSA02J-102X	MG RESISTOR 1kΩ,1/10W
R1703		NRSA02J-561X	MG RESISTOR 560Ω,1/10W	R2615		NRSA02J-102X	MG RESISTOR 1kΩ,1/10W
R1704		NRSA02J-393X	MG RESISTOR 39kΩ,1/10W	R2616		NRSA02J-102X	MG RESISTOR 1kΩ,1/10W
R1705		NRSA02J-683X	MG RESISTOR 68kΩ,1/10W	R2619		NRSA02J-103X	MG RESISTOR 10kΩ,1/10W
R1706		NRSA02J-393X	MG RESISTOR 39kΩ,1/10W	R2621		NRSA02J-103X	MG RESISTOR 10kΩ,1/10W
R1707		NRSA02J-472X	MG RESISTOR 4.7kΩ,1/10W	R2622		NRSA02J-473X	MG RESISTOR 47kΩ,1/10W
R1708		NRSA02J-473X	MG RESISTOR 47kΩ,1/10W	R2623		NRSA02J-332X	MG RESISTOR 3.3kΩ,1/10W
R2003		NRSA02J-101X	MG RESISTOR 100Ω,1/10W	R2624		NRSA02J-103X	MG RESISTOR 10kΩ,1/10W
R2004		NRSA02J-332X	MG RESISTOR 3.3kΩ,1/10W	R2626		NRSA02J-103X	MG RESISTOR 10kΩ,1/10W
R2006		NRSA02J-393X	MG RESISTOR 39kΩ,1/10W	R2627		NRSA02J-473X	MG RESISTOR 47kΩ,1/10W
R2009		NRSA02J-123X	MG RESISTOR 12kΩ,1/10W	R2628		NRSA02J-103X	MG RESISTOR 10kΩ,1/10W
R2011		NRSA02J-103X	MG RESISTOR 10kΩ,1/10W	R2629		NRSA02J-332X	MG RESISTOR 3.3kΩ,1/10W
R2012		NRSA02J-102X	MG RESISTOR 1kΩ,1/10W	R2632		NRSA02J-473X	MG RESISTOR 47kΩ,1/10W
R2013		NRSA02J-682X	MG RESISTOR 6.8kΩ,1/10W	R2633		NRSA02J-153X	MG RESISTOR 15kΩ,1/10W
R2014		NRSA02J-224X	MG RESISTOR 220kΩ,1/10W	R2636		NRSA02J-473X	MG RESISTOR 47kΩ,1/10W
R2015		NRSA02J-181X	MG RESISTOR 180Ω,1/10W	R2637		NRSA02J-153X	MG RESISTOR 15kΩ,1/10W
R2016		NRSA02J-473X	MG RESISTOR 47kΩ,1/10W	R2640		NRSA02J-102X	MG RESISTOR 1kΩ,1/10W

#	△	REF No.	PART No.	PART NAME, DESCRIPTION	#	△	REF No.	PART No.	PART NAME, DESCRIPTION
R2643			NRSA02J-221X	MG RESISTOR	R3076			NRSA02J-101X	MG RESISTOR
R2644			NRSA02J-221X	MG RESISTOR	R3077			NRSA02J-102X	MG RESISTOR
R2646			NRSA02J-473X	MG RESISTOR	R3078			NRSA02J-102X	MG RESISTOR
R2647			NRSA02J-473X	MG RESISTOR	R3079			NRSA02J-102X	MG RESISTOR
R2648			NRSA02J-473X	MG RESISTOR	R3080			NRSA02J-102X	MG RESISTOR
R2649			NRSA02J-473X	MG RESISTOR	R3081			NRSA02J-102X	MG RESISTOR
R2652			NRSA02J-221X	MG RESISTOR	R3083			NRSA02J-102X	MG RESISTOR
R2653			NRSA02J-221X	MG RESISTOR	R3085			NRSA02J-102X	MG RESISTOR
R2654			NRSA02J-151X	MG RESISTOR	R3086			NRSA02J-102X	MG RESISTOR
R2655			NRSA02J-102X	MG RESISTOR	R3087			NRSA02J-102X	MG RESISTOR
R2656			QRE141J-390Y	RESISTOR	R3088			NRSA02J-102X	MG RESISTOR
R3011			NRSA02J-472X	MG RESISTOR	R3089			NRSA02J-101X	MG RESISTOR
R3012			NRSA02J-472X	MG RESISTOR	R3090			NRSA02J-102X	MG RESISTOR
R3013			NRSA02J-472X	MG RESISTOR	R3091			NRSA02J-102X	MG RESISTOR
R3014			NRSA02J-472X	MG RESISTOR	R3092			NRSA02J-101X	MG RESISTOR
R3015			NRSA02J-472X	MG RESISTOR	R3093			NRSA02J-101X	MG RESISTOR
R3016			NRSA02J-472X	MG RESISTOR	R3094			NRSA02J-101X	MG RESISTOR
R3017			NRSA02J-472X	MG RESISTOR	R3095			NRSA02J-101X	MG RESISTOR
R3018			NRSA02J-472X	MG RESISTOR	R3097			NRSA02J-102X	MG RESISTOR
R3019			NRSA02J-472X	MG RESISTOR	R3103			NRSA02J-102X	MG RESISTOR
R3020			NRSA02J-472X	MG RESISTOR	R3105			NRSA02J-102X	MG RESISTOR
R3021			NRSA02J-472X	MG RESISTOR	R3201			NRSA02J-103X	MG RESISTOR
R3025			NRSA02J-222X	MG RESISTOR	R3202			NRSA02J-472X	MG RESISTOR
R3026			NRSA02J-222X	MG RESISTOR	R3203			NRSA02J-103X	MG RESISTOR
R3027			NRSA02J-222X	MG RESISTOR	R3204			NRSA02J-222X	MG RESISTOR
R3029			NRSA02J-472X	MG RESISTOR	R3205			NRSA02J-181X	MG RESISTOR
R3030			NRSA02J-0R0X	MG RESISTOR	R3206			NRSA02J-183X	MG RESISTOR
R3033			NRSA02J-0R0X	MG RESISTOR	R3207			NRSA02J-183X	MG RESISTOR
R3034			NRSA02J-472X	MG RESISTOR	R3208			NRSA02J-181X	MG RESISTOR
R3035			NRSA02J-0R0X	MG RESISTOR	R3209			NRSA02J-273X	MG RESISTOR
R3036			NRSA02J-222X	MG RESISTOR	R3210			NRSA02J-181X	MG RESISTOR
R3037			NRSA02J-222X	MG RESISTOR	R3211			NRSA02J-273X	MG RESISTOR
R3038			NRSA02J-0R0X	MG RESISTOR	R3212			QRE141J-474Y	RESISTOR
R3039			NRSA02J-472X	MG RESISTOR	R3213			NRSA02J-334X	MG RESISTOR
R3040			NRSA02J-103X	MG RESISTOR	R3214			NRSA02J-103X	MG RESISTOR
R3041			NRSA02J-103X	MG RESISTOR	R3215			NRSA02J-103X	MG RESISTOR
R3042			NRSA02J-472X	MG RESISTOR	R3216			NRSA02J-103X	MG RESISTOR
R3044			NRSA02J-102X	MG RESISTOR	R3217			NRSA02J-562X	MG RESISTOR
R3046			NRSA02J-101X	MG RESISTOR	R3218			NRSA02J-472X	MG RESISTOR
R3047			NRSA02J-101X	MG RESISTOR	R3219			NRSA02J-472X	MG RESISTOR
R3048			NRSA02J-101X	MG RESISTOR	R3220			NRSA02J-104X	MG RESISTOR
R3049			NRSA02J-101X	MG RESISTOR	R3222			NRSA02J-103X	MG RESISTOR
R3050			NRSA02J-101X	MG RESISTOR	R3223			NRSA02J-152X	MG RESISTOR
R3051			NRSA02J-101X	MG RESISTOR	R3224			NRSA02J-152X	MG RESISTOR
R3052			NRSA02J-101X	MG RESISTOR	R3226			NRSA02J-104X	MG RESISTOR
R3053			NRSA02J-101X	MG RESISTOR	R3227			NRSA02J-103X	MG RESISTOR
R3054			NRSA02J-0R0X	MG RESISTOR	R3228			NRSA02J-103X	MG RESISTOR
R3055			NRSA02J-0R0X	MG RESISTOR	R3229			NRSA02J-105X	MG RESISTOR
R3056			NRSA02J-0R0X	MG RESISTOR	R3230			NRSA02J-472X	MG RESISTOR
R3057			NRSA02J-101X	MG RESISTOR	R3231			NRSA02J-102X	MG RESISTOR
R3058			NRSA02J-472X	MG RESISTOR	R3235			NRSA02J-332X	MG RESISTOR
R3059			NRSA02J-102X	MG RESISTOR	R3236			NRSA02J-332X	MG RESISTOR
R3060			NRSA02J-102X	MG RESISTOR	R3237			NRSA02J-472X	MG RESISTOR
R3061			NRSA02J-102X	MG RESISTOR	R3238			NRSA02J-472X	MG RESISTOR
R3062			NRSA02J-103X	MG RESISTOR	R3239			NRSA02J-222X	MG RESISTOR
R3066			NRSA02J-102X	MG RESISTOR	R3240			NRSA02J-222X	MG RESISTOR
R3069			NRSA02J-101X	MG RESISTOR	R3241			NRSA02J-103X	MG RESISTOR
R3072			NRSA02J-102X	MG RESISTOR	R3243			NRSA02J-104X	MG RESISTOR
R3073			NRSA02J-102X	MG RESISTOR	R3244			NRSA02J-104X	MG RESISTOR
R3074			NRSA02J-102X	MG RESISTOR	R3245			NRSA02J-104X	MG RESISTOR
R3075			NRSA02J-101X	MG RESISTOR	R3246			NRSA02J-104X	MG RESISTOR

#	△ REF No.	PART No.	PART NAME, DESCRIPTION	#	△ REF No.	PART No.	PART NAME, DESCRIPTION
R3247		NRSA02J-102X	MG RESISTOR 1kΩ,1/10W	R6507		NRSA02J-333X	MG RESISTOR 33kΩ,1/10W
R3248		NRSA02J-102X	MG RESISTOR 1kΩ,1/10W	R6508		NRSA02J-392X	MG RESISTOR 3.9kΩ,1/10W
R3249		NRSA02J-103X	MG RESISTOR 10kΩ,1/10W	R6509		NRSA02J-122X	MG RESISTOR 1.2kΩ,1/10W
R3250		NRSA02J-103X	MG RESISTOR 10kΩ,1/10W	R6510		NRSA02J-392X	MG RESISTOR 3.9kΩ,1/10W
R3251		NRSA02J-103X	MG RESISTOR 10kΩ,1/10W	R6511		NRSA02J-122X	MG RESISTOR 1.2kΩ,1/10W
R3252		NRSA02J-103X	MG RESISTOR 10kΩ,1/10W	R6551		NRSA02J-271X	MG RESISTOR 270Ω,1/10W
R3254		NRSA02J-103X	MG RESISTOR 10kΩ,1/10W	R6552		NRSA02J-101X	MG RESISTOR 100Ω,1/10W
R3255		NRSA02J-103X	MG RESISTOR 10kΩ,1/10W	R6553		NRSA02J-0R0X	MG RESISTOR 0Ω,1/10W
R3256		NRSA02J-103X	MG RESISTOR 10kΩ,1/10W	R6554		NRSA02J-0R0X	MG RESISTOR 0Ω,1/10W
R3257		NRSA02J-103X	MG RESISTOR 10kΩ,1/10W	R7115		NRSA02J-221X	MG RESISTOR 220Ω,1/10W
R3258		NRSA02J-103X	MG RESISTOR 10kΩ,1/10W	R7116		NRSA02J-472X	MG RESISTOR 4.7kΩ,1/10W
R3259		NRSA02J-103X	MG RESISTOR 10kΩ,1/10W	R7117		QRE123J-100X	RESISTOR 10Ω,1/2W
R3261		NRSA02J-102X	MG RESISTOR 1kΩ,1/10W	R7118		NRSA02J-0R0X	MG RESISTOR 0Ω,1/10W
R3262		NRSA02J-102X	MG RESISTOR 1kΩ,1/10W	R7122		NRSA02J-0R0X	MG RESISTOR 0Ω,1/10W
R3263		NRSA02J-103X	MG RESISTOR 10kΩ,1/10W	R7124		NRSA02J-0R0X	MG RESISTOR 0Ω,1/10W
R3264		NRSA02J-103X	MG RESISTOR 10kΩ,1/10W	B3		NRSA02J-0R0X	MG RESISTOR 0Ω,1/10W
R3265		NRSA02J-103X	MG RESISTOR 10kΩ,1/10W	B8		NRSA02J-0R0X	MG RESISTOR 0Ω,1/10W
R3267		NRSA02J-103X	MG RESISTOR 10kΩ,1/10W	B18		NRSA02J-0R0X	MG RESISTOR 0Ω,1/10W
R3268		NRSA02J-103X	MG RESISTOR 10kΩ,1/10W	B42		NRSA02J-0R0X	MG RESISTOR 0Ω,1/10W
R3269		NRSA02J-103X	MG RESISTOR 10kΩ,1/10W	B6001		NRSA02J-0R0X	MG RESISTOR 0Ω,1/10W
R3271		NRSA02J-102X	MG RESISTOR 1kΩ,1/10W	B6030		NRSA02J-0R0X	MG RESISTOR 0Ω,1/10W
R3272		NRSA02J-102X	MG RESISTOR 1kΩ,1/10W	B6034		NRSA02J-0R0X	MG RESISTOR 0Ω,1/10W
R3273		NRSA02J-103X	MG RESISTOR 10kΩ,1/10W	B6501		NRSA02J-0R0X	MG RESISTOR 0Ω,1/10W
R3274		NRSA02J-103X	MG RESISTOR 10kΩ,1/10W	B6502		NRSA02J-0R0X	MG RESISTOR 0Ω,1/10W
R3275		NRSA02J-103X	MG RESISTOR 10kΩ,1/10W	B6503		NRSA02J-0R0X	MG RESISTOR 0Ω,1/10W
R3278		NRSA02J-103X	MG RESISTOR 10kΩ,1/10W	B6504		NRSA02J-0R0X	MG RESISTOR 0Ω,1/10W
R3279		NRSA02J-103X	MG RESISTOR 10kΩ,1/10W	B6565		NRSA02J-0R0X	MG RESISTOR 0Ω,1/10W
R3280		NRSA02J-103X	MG RESISTOR 10kΩ,1/10W	B6608		NRSA02J-0R0X	MG RESISTOR 0Ω,1/10W
R3282		NRSA02J-103X	MG RESISTOR 10kΩ,1/10W	B6609		NRSA02J-0R0X	MG RESISTOR 0Ω,1/10W
R3283		NRSA02J-103X	MG RESISTOR 10kΩ,1/10W	B6610		NRSA02J-0R0X	MG RESISTOR 0Ω,1/10W
R3284		NRSA02J-103X	MG RESISTOR 10kΩ,1/10W	B7101		NRSA02J-0R0X	MG RESISTOR 0Ω,1/10W
R3289		NRSA02J-0R0X	MG RESISTOR 0Ω,1/10W	B7102		NRSA02J-0R0X	MG RESISTOR 0Ω,1/10W
R4003		NRSA02J-561X	MG RESISTOR 560Ω,1/10W	B7103		NRSA02J-0R0X	MG RESISTOR 0Ω,1/10W
R4004		NRSA02J-561X	MG RESISTOR 560Ω,1/10W	B7105		NRSA02J-0R0X	MG RESISTOR 0Ω,1/10W
R4005		NRSA02J-562X	MG RESISTOR 5.6kΩ,1/10W	C1		NCB21HK-103X	CAPACITOR 0.01μF,50V
R4007		NRSA02J-102X	MG RESISTOR 1kΩ,1/10W	C2		NCB21HK-103X	CAPACITOR 0.01μF,50V
R4008		NRSA02J-0R0X	MG RESISTOR 0Ω,1/10W	C3		NCB21HK-103X	CAPACITOR 0.01μF,50V
R4009		NRSA02J-102X	MG RESISTOR 1kΩ,1/10W	C4		NCB21HK-103X	CAPACITOR 0.01μF,50V
R4010		NRSA02J-102X	MG RESISTOR 1kΩ,1/10W	C5		QETN1CM-476	E CAPACITOR 47μF,16V
R4011		NRSA02J-102X	MG RESISTOR 1kΩ,1/10W	C6		NCB11EK-104X	CAPACITOR 0.1μF,25V
R4012		NRSA02J-222X	MG RESISTOR 2.2kΩ,1/10W	C8		NCB21EK-104X	CAPACITOR 0.1μF,25V
R4013		NRSA02J-102X	MG RESISTOR 1kΩ,1/10W	C9		QEKJ1HM-225	E CAPACITOR 2.2μF,50V
R4014		NRSA02J-182X	MG RESISTOR 1.8kΩ,1/10W	C10		NDC21HG-151X	CAPACITOR 150pF,50V
R4015		NRSA02J-562X	MG RESISTOR 5.6kΩ,1/10W	C11		NCB21EK-104X	CAPACITOR 0.1μF,25V
R4017		NRSA02J-102X	MG RESISTOR 1kΩ,1/10W	C12		NDC21HJ-7R0X	CAPACITOR 7pF,50V
R4018		NRSA02J-102X	MG RESISTOR 1kΩ,1/10W	C14		NCB21EK-104X	CAPACITOR 0.1μF,25V
R4019		NRSA02J-103X	MG RESISTOR 10kΩ,1/10W	C15		NCB21HK-103X	CAPACITOR 0.01μF,50V
R4020		NRSA02J-103X	MG RESISTOR 10kΩ,1/10W	C16		NCB21EK-104X	CAPACITOR 0.1μF,25V
R4021		NRSA02J-103X	MG RESISTOR 10kΩ,1/10W	C17		QEKJ1HM-335	E CAPACITOR 3.3μF,50V
R6020		NRSA02J-102X	MG RESISTOR 1kΩ,1/10W	C18		QEKJ1HM-105	E CAPACITOR 1μF,50V
R6021		NRSA02J-102X	MG RESISTOR 1kΩ,1/10W	C19		QEKJ1CM-106	E CAPACITOR 10μF,16V
R6022		NRSA02J-102X	MG RESISTOR 1kΩ,1/10W	C20		QEKJ1HM-105	E CAPACITOR 1μF,50V
R6031		NRSA02J-0R0X	MG RESISTOR 0Ω,1/10W	C21		NCB21EK-104X	CAPACITOR 0.1μF,25V
R6032		NRSA02J-123X	MG RESISTOR 12kΩ,1/10W	C22		QEKJ0JM-476	E CAPACITOR 47μF,6.3V
R6033		NRSA02J-123X	MG RESISTOR 12kΩ,1/10W	C23		NCB21EK-104X	CAPACITOR 0.1μF,25V
R6501		NRSA02J-102X	MG RESISTOR 1kΩ,1/10W	C24		NCB21EK-104X	CAPACITOR 0.1μF,25V
R6502		NRSA02J-334X	MG RESISTOR 330kΩ,1/10W	C25		NDC21HJ-4R0X	CAPACITOR 4pF,50V
R6503		NRSA02J-124X	MG RESISTOR 120kΩ,1/10W	C26		NCB21HK-103X	CAPACITOR 0.01μF,50V
R6504		NRSA02J-302X	MG RESISTOR 3kΩ,1/10W	C27		NCB21HK-223X	CAPACITOR 0.022μF,50V
R6505		NRSA02J-512X	MG RESISTOR 5.1kΩ,1/10W	C28		QEKJ1HM-335	E CAPACITOR 3.3μF,50V
R6506		NRSA02J-333X	MG RESISTOR 33kΩ,1/10W	C29		NCB21HK-472X	CAPACITOR 0.0047μF,50V

#	△	REF No.	PART No.	PART NAME, DESCRIPTION		#	△	REF No.	PART No.	PART NAME, DESCRIPTION	
C30			NCB21CK-474X	CAPACITOR	0.47μF,16V	C2055			QEKJ1CM-106	E CAPACITOR	10μF,16V
C31			QEKJ0JM-107	E CAPACITOR	100μF,6.3V	C2201			NCB21EK-104X	CAPACITOR	0.1μF,25V
C32			QCB1HK-103	CAPACITOR	0.01μF,50V	C2202			NCB21EK-333X	CAPACITOR	0.033μF,25V
C33			QEKJ1HM-225	E CAPACITOR	2.2μF,50V	C2203			QEKJ1CM-106	E CAPACITOR	10μF,16V
C34			NCB21EK-104X	CAPACITOR	0.1μF,25V	C2204			QDGB1HK-102Y	CAPACITOR	0.001μF,50V
C35			NCB21EK-104X	CAPACITOR	0.1μF,25V	C2205			QEKJ1HM-105	E CAPACITOR	1μF,50V
C36			QEKJ1EM-475	E CAPACITOR	4.7μF,25V	C2207			QEKJ1CM-476	E CAPACITOR	47μF,16V
C37			QEKJ1HM-105	E CAPACITOR	1μF,50V	C2208			QETN1HM-475	E CAPACITOR	4.7μF,50V
C38			QEKJ0JM-476	E CAPACITOR	47μF,6.3V	C2209			QEKJ1HM-104	E CAPACITOR	0.1μF,50V
C39			NCB21EK-104X	CAPACITOR	0.1μF,25V	C2210			QEKJ1HM-104	E CAPACITOR	0.1μF,50V
C40			QEKJ1CM-106	E CAPACITOR	10μF,16V	C2211			QEKJ1HM-105	E CAPACITOR	1μF,50V
C54			NDC21HJ-221X	CAPACITOR	220pF,50V	C2212			QEKJ1HM-105	E CAPACITOR	1μF,50V
C59			NCB21EK-104X	CAPACITOR	0.1μF,25V	C2215			QEKJ1EM-475	E CAPACITOR	4.7μF,25V
C60			QEKJ0JM-227	E CAPACITOR	220μF,6.3V	C2217			QEKJ1CM-106	E CAPACITOR	10μF,16V
C61			NCB21HK-103X	CAPACITOR	0.01μF,50V	C2219			QEKJ1CM-106	E CAPACITOR	10μF,16V
C63			NCB21EK-104X	CAPACITOR	0.1μF,25V	C2220			QEKJ1EM-475	E CAPACITOR	4.7μF,25V
C64			NDC21HJ-120X	CAPACITOR	12pF,50V	C2221			NCB21HK-103X	CAPACITOR	0.01μF,50V
C69			NCB21EK-104X	CAPACITOR	0.1μF,25V	C2222			QEKJ1HM-474	E CAPACITOR	0.47μF,50V
C70			NCB21EK-104X	CAPACITOR	0.1μF,25V	C2223			QEKJ1HM-474	E CAPACITOR	0.47μF,50V
C71			NCB21HK-103X	CAPACITOR	0.01μF,50V	C2224			NCB21HK-103X	CAPACITOR	0.01μF,50V
C72			NDC21HJ-470X	CAPACITOR	47pF,50V	C2225			QEKJ1EM-475	E CAPACITOR	4.7μF,25V
C73			NDC21HJ-120X	CAPACITOR	12pF,50V	C2226			QEKJ1CM-106	E CAPACITOR	10μF,16V
C74			NDC21HJ-7R0X	CAPACITOR	7pF,50V	C2227			NCB21CK-104X	CAPACITOR	0.1μF,16V
C77			NCB21HK-103X	CAPACITOR	0.01μF,50V	C2231			NCB21HK-102X	CAPACITOR	0.001μF,50V
C80			NCB21HK-103X	CAPACITOR	0.01μF,50V	C2251			QETN1CM-476	E CAPACITOR	47μF,16V
C84			NDC21HJ-220X	CAPACITOR	22pF,50V	C2252			QCB1HK-103	CAPACITOR	0.01μF,50V
C94			NRSA02J-0R0X	MG RESISTOR	0Ω, 1/10W	C2253			NCB21CK-104X	CAPACITOR	0.1μF,16V
C106			NDC21HJ-560X	CAPACITOR	56pF,50V	C2254			NCB21CK-104X	CAPACITOR	0.1μF,16V
C109			NCB21CK-224X	CAPACITOR	0.22μF,16V	C2258			NCB21CK-104X	CAPACITOR	0.1μF,16V
C110			NCB21HK-331X	CAPACITOR	330pF,50V	C2282			NDC21HJ-121X	CAPACITOR	120pF,50V
C133			NCB21HK-103X	CAPACITOR	0.01μF,50V	C2601			QETN1CM-476	E CAPACITOR	47μF,16V
C134			NCB21HK-103X	CAPACITOR	0.01μF,50V	C2602			QETN1CM-476	E CAPACITOR	47μF,16V
C251			QEKJ1HM-225	E CAPACITOR	2.2μF,50V	C2603			QETN1CM-476	E CAPACITOR	47μF,16V
C252			NCB21HK-103X	CAPACITOR	0.01μF,50V	C2605			QETN1CM-476	E CAPACITOR	47μF,16V
C253			NCB21HK-471X	CAPACITOR	470pF,50V	C2611			NCB21HK-103X	CAPACITOR	0.01μF,50V
C255			NCB21CK-104X	CAPACITOR	0.1μF,16V	C2612			NCB21HK-103X	CAPACITOR	0.01μF,50V
C1701			NCB21EK-223X	CAPACITOR	0.022μF,25V	C3001			NCB21EK-104X	CAPACITOR	0.1μF,25V
C1702			NDC21HJ-470X	CAPACITOR	47pF,50V	C3002			NCB21HK-103X	CAPACITOR	0.01μF,50V
C1703			NDC21HJ-470X	CAPACITOR	47pF,50V	C3003			QEKJ1HM-106	E CAPACITOR	10μF,50V
C1704			NDC21HJ-101X	CAPACITOR	100pF,50V	C3004			NCB21CK-473X	CAPACITOR	0.047μF,16V
C1705			NCB21HK-102X	CAPACITOR	0.001μF,50V	C3010			QEZ0244-229	EDL CAPACITOR	0.0022F,5.5V
C1706			NDC21HJ-150X	CAPACITOR	15pF,50V	C3011			QETN0JM-108	E CAPACITOR	1000μF,6.3V
C1707			NCB21EK-103X	CAPACITOR	0.01μF,25V	C3012			QEKJ0JM-476	E CAPACITOR	47μF,6.3V
C1708			QEKJ1CM-106	E CAPACITOR	10μF,16V	C3013			NCB21HK-103X	CAPACITOR	0.01μF,50V
C1709			NCB21EK-104X	CAPACITOR	0.1μF,25V	C3014			QEKJ0JM-476	E CAPACITOR	47μF,6.3V
C2001			QETN1HM-475	E CAPACITOR	4.7μF,50V	C3016			NCB21CK-473X	CAPACITOR	0.047μF,16V
C2002			QEKJ1CM-106	E CAPACITOR	10μF,16V	C3022			NCB21CK-473X	CAPACITOR	0.047μF,16V
C2003			QEKJ0JM-476	E CAPACITOR	47μF,6.3V	C3024			NDC21HJ-120X	CAPACITOR	12pF,50V
C2005			QEKJ1EM-475	E CAPACITOR	4.7μF,25V	C3026			NCB21HK-103X	CAPACITOR	0.01μF,50V
C2006			NCB21HK-123X	CAPACITOR	0.012μF,50V	C3027			NBE20JM-106X	T CAPACITOR	10μF,6.3V
C2007			QERF1CM-226	E CAPACITOR	22μF,16V	C3030			QEKJ0JM-476	E CAPACITOR	47μF,6.3V
C2008			QEKJ1EM-475	E CAPACITOR	4.7μF,25V	C3031			NCB21CK-473X	CAPACITOR	0.047μF,16V
C2009			NCB21HK-102X	CAPACITOR	0.001μF,50V	C3032			NCB21CK-473X	CAPACITOR	0.047μF,16V
C2010			NCB21HK-222X	CAPACITOR	0.0022μF,50V	C3033			NCB21CK-473X	CAPACITOR	0.047μF,16V
C2011			QEKJ1EM-475	E CAPACITOR	4.7μF,25V	C3036			NDC21HJ-180X	CAPACITOR	18pF,50V
C2012			QEKJ1EM-475	E CAPACITOR	4.7μF,25V	C3037			NDC21HJ-120X	CAPACITOR	12pF,50V
C2017			QEKJ1CM-106	E CAPACITOR	10μF,16V	C3040			NCB21CK-473X	CAPACITOR	0.047μF,16V
C2051			NCB21HK-331X	CAPACITOR	330pF,50V	C3041			NDC21HJ-100X	CAPACITOR	10pF,50V
C2052			QFLC1HJ-823Z	F CAPACITOR	0.082μF,50V	C3042			NCB21CK-105X	CAPACITOR	1μF,16V
C2053			NCB21HK-472X	CAPACITOR	0.0047μF,50V	C3043			NCB21CK-105X	CAPACITOR	1μF,16V
C2054			NCB21EK-223X	CAPACITOR	0.022μF,25V	C3047			NCB21CK-473X	CAPACITOR	0.047μF,16V

#	△ REF No.	PART No.	PART NAME, DESCRIPTION	
C3048		NCB21CK-473X	CAPACITOR	0.047μF,16V
C3049		NCB21CK-473X	CAPACITOR	0.047μF,16V
C4002		NCB21HK-103X	CAPACITOR	0.01μF,50V
C4003		NCB21HK-102X	CAPACITOR	0.001μF,50V
C4004		NBE20JM-226X	T CAPACITOR	22μF,6.3V
C4006		NBE40JM-476X	T CAPACITOR	47μF,6.3V
C4008		NCB21CK-105X	CAPACITOR	1μF,16V
C4009		NCB21HK-563X	CAPACITOR	0.056μF,50V
C4010		NCB21EK-223X	CAPACITOR	0.022μF,25V
C4011		NCB21EK-104X	CAPACITOR	0.1μF,25V
C4012		NCB21CK-105X	CAPACITOR	1μF,16V
C4013		NCB21HK-563X	CAPACITOR	0.056μF,50V
C4014		NDC21HJ-101X	CAPACITOR	100pF,50V
C4015		NCB21HK-331X	CAPACITOR	330pF,50V
C4016		NCB21HK-681X	CAPACITOR	680pF,50V
C4017		NCB21HK-222X	CAPACITOR	0.0022μF,50V
C4018		NDC21HJ-101X	CAPACITOR	100pF,50V
C6501		QETN1CM-226	E CAPACITOR	22μF,16V
C6502		NCB21EK-104X	CAPACITOR	0.1μF,25V
C6503		QEKJ1HM-105	E CAPACITOR	1μF,50V
C6504		QEKJ1EM-475	E CAPACITOR	4.7μF,25V
C6505		QETN1HM-106	E CAPACITOR	10μF,50V
C6506		QEKJ1HM-104	E CAPACITOR	0.1μF,50V
C6507		NCB21EK-473X	CAPACITOR	0.047μF,25V
C6508		QETN1HM-474	E CAPACITOR	0.47μF,50V
C6509		NCB21EK-104X	CAPACITOR	0.1μF,25V
C6510		QEKJ1HM-105	E CAPACITOR	1μF,50V
C6511		QEKJ1HM-105	E CAPACITOR	1μF,50V
C6512		QEKJ1HM-105	E CAPACITOR	1μF,50V
C6513		QETN1HM-335	E CAPACITOR	3.3μF,50V
C6514		QETN1HM-106	E CAPACITOR	10μF,50V
C6515		QETN1HM-105	E CAPACITOR	1μF,50V
C6516		QEKJ1HM-106	E CAPACITOR	10μF,50V
C6517		QEKJ1HM-106	E CAPACITOR	10μF,50V
C6518		QETN1HM-105	E CAPACITOR	1μF,50V
C7119		QETJ0JM-477	E CAPACITOR	470μF,6.3V
L1		QQL29BJ-100Z	COIL	10μH
L2		QQL231J-101Y	COIL	100μH
L3		QQL29BJ-100Z	COIL	10μH
L4		QQL29BJ-100Z	COIL	10μH
L5		QQL29BJ-100Z	COIL	10μH
L11		QQL01BJ-120Z	COIL	12μH
L13		QQL231J-101Y	COIL	100μH
L15		QQL29BJ-100Z	COIL	10μH
L18		QUY153-050Y	IM BUS WIRE	
L19		QQL231J-100Y	COIL	10μH
L20		QUY153-050Y	IM BUS WIRE	
L24		QQL231J-180Y	COIL	18μH
L28		QQL231J-150Y	COIL	15μH
L1701		QQL071J-150Y	COIL	15μH
L1702		QQL29BJ-100Z	COIL	10μH
L2001		QUY153-050Y	IM BUS WIRE	
L2251		QQL29BJ-100Z	COIL	10μH
L2272		QQL231J-1R8Y	COIL	1.8μH
L6001		QUY153-050Y	IM BUS WIRE	
L6005		QUY153-050Y	IM BUS WIRE	
L6031		QUY153-050Y	IM BUS WIRE	
L6032		QUY153-050Y	IM BUS WIRE	
L7102		QQL29BJ-101Z	COIL	100μH
X2		QAX0575-001	CRYSTAL RESONATOR	
X3001		QAX0444-001	CRYSTAL RESONATOR	

#	△ REF No.	PART No.	PART NAME, DESCRIPTION	
X3002		QAX0527-001	CRYSTAL RESONATOR	
S3002		QSW0695-001	PUSH SWITCH,S.CASS SW	
K2001		NRSA02J-0R0X	MG RESISTOR	0Ω,1/10W
K2002		NRSA02J-0R0X	MG RESISTOR	0Ω,1/10W
K2003		NRSA02J-0R0X	MG RESISTOR	0Ω,1/10W
K2004		NRSA02J-0R0X	MG RESISTOR	0Ω,1/10W
K2251		NRSA02J-0R0X	MG RESISTOR	0Ω,1/10W
K2252		NRSA02J-0R0X	MG RESISTOR	0Ω,1/10W
K2253		NRSA02J-0R0X	MG RESISTOR	0Ω,1/10W
PC3001		GP3S123	IC(PHOTO SENSOR	
PC3002		GP3S123	IC(PHOTO SENSOR	
T2051		PELN0832	OSC TRANSFORMER	
TU6001		QAU0163-001	TUNER	
ET1		PQ21623-1-5	EARTH PLATE(RF)	
LF251		PELN0806	LC TRAP	
SD1		LP30720-001A	SHIELD CASE(PRE/REC)	
OT1		QYTDSF3010Z	SCREW,X2 TERMINAL	
WR100		QUQ112-1413CG	FFC WIRE,S-SUB	
CN1		QGF1028C1-11	FPC CONNECTOR,(1-11)U.DRUM	
CN901		QGF1207C1-11	FPC CONNECTOR,(1-11)FRONT JAC	
CN2001		QGF1207C1-07	FPC CONNECTOR,(1-7)A/C HEAD	
CN2002		QGB2532J1-02	CONNECTOR,(1-2)FE HEAD	
CN3001		QGF1207C1-05	FPC CONNECTOR,(1-5)DRUM MDA	
CN3002		QGB2532J1-02	CONNECTOR,(1-2)LOADING MOTOR	
CN3003		QGB2015M2-08	CONNECTOR,(1-8)CAPSTAN MOTOR	
CN3004		QGB2534J2-04	CONNECTOR,(1-4)ROTARY ENCODER	
CN3008		QGF1207C1-10	FPC CONNECTOR,(1-10)DISPLAY	
CN3009		QGF1016C3-16	FFC/FPC CONNECTOR,(1-16)DIGITAL	
CN3010		QGF1207C1-06	FPC CONNECTOR,(1-6)SYS UPDATE	
CN3011		QGB2024K1-14S	CONNECTOR,(1-14)PRE/REC	
CN5601		QGF1201C2-21	FPC CONNECTOR,(1-21)SW REG	
CN7105		QGB2024K1-17S	CONNECTOR,(1-17)TERMINAL	
CN7106		QGB2024K1-17S	CONNECTOR,(1-17)TERMINAL	
CN7107		QGF1207C1-12	FPC CONNECTOR,(1-12)DIGITAL	
CN7109		QGF1207C1-14	FPC CONNECTOR,(1-14)S-SUB	
△ CP3002		ICP-N25	CIRCUIT PROTECTOR	
△ CP4001		ICP-N25	CIRCUIT PROTECTOR	

3D DIGITAL/4M BOARD ASSEMBLY <05>

PW1	LPA10143-02A	3D DIGITAL/4M BOARD ASSY
IC1401	JCP8026	IC
IC1402	MN47V77S-XE	IC
Q1401	2SC1317/RS/-T	TRANSISTOR
Q1402	2SA1576A/QR/-X	TRANSISTOR
	or 2PA1576/R/-X	TRANSISTOR
Q1403	2SA1576A/QR/-X	TRANSISTOR
	or 2PA1576/R/-X	TRANSISTOR
Q1406	2SA1576A/QR/-X	TRANSISTOR
	or 2PA1576/R/-X	TRANSISTOR
Q1407	2SA1576A/QR/-X	TRANSISTOR
	or 2PA1576/R/-X	TRANSISTOR
Q1408	2SC4081/S/-X	TRANSISTOR
Q1410	2SC4081/QRS/-X	TRANSISTOR
	or 2PC4081/R/-X	TRANSISTOR
Q1412	2SC4081/QRS/-X	TRANSISTOR
	or 2PC4081/R/-X	TRANSISTOR

#	△	REF No.	PART No.	PART NAME, DESCRIPTION	#	△	REF No.	PART No.	PART NAME, DESCRIPTION
Q1413			2SA1576A/QR/-X	TRANSISTOR	C1407			NDC21HJ-680X	CAPACITOR 68pF,50V
			or 2PA1576/R/-X	TRANSISTOR	C1408			NDC21HJ-330X	CAPACITOR 33pF,50V
Q1417			2SA1576A/QR/-X	TRANSISTOR	C1410			QEKJ1EM-475	E CAPACITOR 4.7μF,25V
			or 2PA1576/R/-X	TRANSISTOR	C1411			NCF21EZ-104X	CAPACITOR 0.1μF,25V
Q1418			2SA1576A/QR/-X	TRANSISTOR	C1412			NDC21HJ-680X	CAPACITOR 68pF,50V
			or 2PA1576/R/-X	TRANSISTOR	C1413			NDC21HJ-330X	CAPACITOR 33pF,50V
Q1419			DTC124TU	TRANSISTOR	C1415			NCF21EZ-104X	CAPACITOR 0.1μF,25V
D1401			RD4.3ES/B2/-T2	ZENER DIODE	C1416			QEKJ1CM-106	E CAPACITOR 10μF,16V
			or MTZJ4.3B	ZENER DIODE	C1417			NCF21EZ-104X	CAPACITOR 0.1μF,25V
D1402			1SS133	DIODE	C1421			NDC21HJ-330X	CAPACITOR 33pF,50V
			or 1N4148M	DIODE	C1422			NDC21HJ-680X	CAPACITOR 68pF,50V
R1401			NRSA02J-271X	MG RESISTOR 270Ω,1/10W	C1423			NCF21EZ-104X	CAPACITOR 0.1μF,25V
R1402			NRSA02J-101X	MG RESISTOR 100Ω,1/10W	C1424			NCB21HK-103X	CAPACITOR 0.01μF,50V
R1404			NRSA02J-182X	MG RESISTOR 1.8kΩ,1/10W	C1425			NCB21HK-103X	CAPACITOR 0.01μF,50V
R1406			NRSA02J-471X	MG RESISTOR 470Ω,1/10W	C1426			NDC21HJ-390X	CAPACITOR 39pF,50V
R1407			NRSA02J-272X	MG RESISTOR 2.7kΩ,1/10W	C1428			NDC21HJ-220X	CAPACITOR 22pF,50V
R1410			NRSA02J-241X	MG RESISTOR 240Ω,1/10W	C1429			QEKJ0JM-337	E CAPACITOR 330μF,6.3V
R1411			NRSA02J-152X	MG RESISTOR 1.5kΩ,1/10W	C1430			NCF21EZ-104X	CAPACITOR 0.1μF,25V
R1413			NRSA02J-471X	MG RESISTOR 470Ω,1/10W	C1432			NCF21CZ-105X	CAPACITOR 1μF,16V
R1414			NRSA02J-821X	MG RESISTOR 820Ω,1/10W	C1433			NCF21EZ-104X	CAPACITOR 0.1μF,25V
R1415			NRSA02J-221X	MG RESISTOR 220Ω,1/10W	C1435			NCF21EZ-104X	CAPACITOR 0.1μF,25V
R1416			NRSA02J-104X	MG RESISTOR 100kΩ,1/10W	C1436			NCF21EZ-104X	CAPACITOR 0.1μF,25V
R1417			NRSA02J-101X	MG RESISTOR 100Ω,1/10W	C1437			NCF21EZ-104X	CAPACITOR 0.1μF,25V
R1418			NRSA02J-471X	MG RESISTOR 470Ω,1/10W	C1438			NCF21EZ-104X	CAPACITOR 0.1μF,25V
R1421			NRSA02J-331X	MG RESISTOR 330Ω,1/10W	C1439			NCF21CZ-105X	CAPACITOR 1μF,16V
R1426			NRSA02J-821X	MG RESISTOR 820Ω,1/10W	C1440			NCF21EZ-104X	CAPACITOR 0.1μF,25V
R1427			NRSA02J-333X	MG RESISTOR 33kΩ,1/10W	C1441			NCF21EZ-104X	CAPACITOR 0.1μF,25V
R1428			NRSA02J-393X	MG RESISTOR 39kΩ,1/10W	C1442			NCF21CZ-105X	CAPACITOR 1μF,16V
R1429			NRSA02J-152X	MG RESISTOR 1.5kΩ,1/10W	C1444			NCF21EZ-104X	CAPACITOR 0.1μF,25V
R1430			NRSA02J-222X	MG RESISTOR 2.2kΩ,1/10W	C1445			NCF21EZ-104X	CAPACITOR 0.1μF,25V
R1431			NRSA02J-821X	MG RESISTOR 820Ω,1/10W	C1446			QEKJ0JM-107	E CAPACITOR 100μF,6.3V
R1432			NRSA02J-182X	MG RESISTOR 1.8kΩ,1/10W	C1447			NCF21EZ-104X	CAPACITOR 0.1μF,25V
R1433			NRSA02J-510X	MG RESISTOR 51Ω,1/10W	C1448			QEKJ0JM-337	E CAPACITOR 330μF,6.3V
R1434			NRSA02J-153X	MG RESISTOR 15kΩ,1/10W	C1449			NCF21EZ-104X	CAPACITOR 0.1μF,25V
R1435			NRSA02J-103X	MG RESISTOR 10kΩ,1/10W	C1451			QEKJ1EM-475	E CAPACITOR 4.7μF,25V
R1436			NRSA02J-392X	MG RESISTOR 3.9kΩ,1/10W	C1452			NCF21EZ-104X	CAPACITOR 0.1μF,25V
R1437			NRSA02J-392X	MG RESISTOR 3.9kΩ,1/10W	C1453			NCF21EZ-104X	CAPACITOR 0.1μF,25V
R1438			NRSA02J-473X	MG RESISTOR 47kΩ,1/10W	C1454			NCF21EZ-104X	CAPACITOR 0.1μF,25V
R1439			NRSA02J-273X	MG RESISTOR 27kΩ,1/10W	C1455			NCF21EZ-104X	CAPACITOR 0.1μF,25V
R1440			NRSA02J-473X	MG RESISTOR 47kΩ,1/10W	C1456			QEKJ0JM-337	E CAPACITOR 330μF,6.3V
R1446			NRSA02J-102X	MG RESISTOR 1kΩ,1/10W	C1457			NCF21EZ-104X	CAPACITOR 0.1μF,25V
R1447			NRSA02J-102X	MG RESISTOR 1kΩ,1/10W	C1458			NCF21EZ-104X	CAPACITOR 0.1μF,25V
R1448			NRSA02J-102X	MG RESISTOR 1kΩ,1/10W	C1459			NDC21HJ-470X	CAPACITOR 47pF,50V
R1449			NRSA02J-102X	MG RESISTOR 1kΩ,1/10W	C1460			NDC21HJ-470X	CAPACITOR 47pF,50V
R1450			NRSA02J-102X	MG RESISTOR 1kΩ,1/10W	C1461			NDC21HJ-470X	CAPACITOR 47pF,50V
R1452			NRSA02J-102X	MG RESISTOR 1kΩ,1/10W	C1462			NDC21HJ-470X	CAPACITOR 47pF,50V
R1453			NRSA02J-102X	MG RESISTOR 1kΩ,1/10W	C1463			QEKJ0JM-336	E CAPACITOR 33μF,6.3V
R1455			NRSA02J-681X	MG RESISTOR 680Ω,1/10W	C1465			NDC21HJ-470X	CAPACITOR 47pF,50V
R1458			NRSA02J-561X	MG RESISTOR 560Ω,1/10W	C1466			NDC21HJ-470X	CAPACITOR 47pF,50V
R1459			NRSA02J-681X	MG RESISTOR 680Ω,1/10W	C1467			NDC21HJ-470X	CAPACITOR 47pF,50V
R1460			NRSA02J-273X	MG RESISTOR 27kΩ,1/10W	C1468			NDC21HJ-470X	CAPACITOR 47pF,50V
R1462			NRSA02J-0R0X	MG RESISTOR 0Ω,1/10W	C1471			NCF21EZ-104X	CAPACITOR 0.1μF,25V
VR1401			QVZ3521-103Z	V RESISTOR,D/A LEVEL	C1472			NCF21EZ-104X	CAPACITOR 0.1μF,25V
B1417			NRSA02J-0R0X	MG RESISTOR 0Ω,1/10W	C1473			NCF21EZ-104X	CAPACITOR 0.1μF,25V
B1419			NRSA02J-0R0X	MG RESISTOR 0Ω,1/10W	L1401			QQL29BJ-100Z	COIL 10μH
C1401			QEKJ1CM-336	E CAPACITOR 33μF,16V	L1402			QQL071J-6R8Y	COIL 6.8μH
C1402			NCB21HK-103X	CAPACITOR 0.01μF,50V	L1403			QQL071J-6R8Y	COIL 6.8μH
C1403			QEKJ0JM-337	E CAPACITOR 330μF,6.3V	L1404			QQL071J-6R8Y	COIL 6.8μH
C1404			NCF21EZ-104X	CAPACITOR 0.1μF,25V	L1405			QQL29BJ-100Z	COIL 10μH
C1405			NCF21EZ-104X	CAPACITOR 0.1μF,25V	L1406			QQL071J-330Y	COIL 33μH
C1406			NCB21HK-103X	CAPACITOR 0.01μF,50V	L1407			QQL29BJ-100Z	COIL 10μH

#	△ REF No.	PART No.	PART NAME, DESCRIPTION
L1408	QQL29BJ-4R7Z	COIL	4.7μH
LC1401	QQR0521-013Z	NOISE FILTER	
LC1402	QQR0521-010Z	NOISE FILTER	
SD1	LP30706-001C	SHIELD FRAME(S-VHS)	
SD2	LP30684-001A	SHIELD CASE(S-VHS)	
CN1401	QGG2502K1-17	HEADER PIN	

#	△ REF No.	PART No.	PART NAME, DESCRIPTION
C7120	QEKJ0JM-107	E CAPACITOR	100μF,6.3V
C7121	NCB21HK-103X	CAPACITOR	0.01μF,50V
C7125	QETJ0JM-477	E CAPACITOR	470μF,6.3V
C7126	QETJ0JM-477	E CAPACITOR	470μF,6.3V
C7127	QETJ0JM-477	E CAPACITOR	470μF,6.3V
L7101	QUY153-050Y	IM BUS WIRE	
L7102	QUY153-050Y	IM BUS WIRE	
J7101	QND0009-001	S JACK,S-IN1	
J7102	QNN0364-002	PIN JACK,RCA IN1	
J7105	QND0009-001	S JACK,S-IN2	
J7106	QNN0364-002	PIN JACK,RCA IN2	
J7109	QND0009-001	S JACK,S-OUT1	
J7110	QNN0363-002	PIN JACK,RCA OUT1	
J7113	QND0009-001	S JACK,S-OUT2	
J7114	QNN0363-002	PIN JACK,RCA OUT2	
J7123	PEMC1190	MINI JACK, JLIP	
J7124	PU60659	MINI JACK,R.PAUSE	
J7125	PU60659	MINI JACK,C.BOX	
J7127	QNN0363-003	PIN JACK,YCBCR	
△ TB1	LP30826-004C	TERMINAL BOARD ASSY	
OT3	QYTDSF3010Z	SCREW,X4	
OT4	QYTDSF3010M	SCREW,X2	
CN7101	QGB2024J1-17S	CONNECTOR,(1-17)MAIN	
CN7102	QGB2024J1-17S	CONNECTOR,(1-17)MAIN	
CN7104	QGF1016F5-09	FFC/FPC CONNECTOR,(1-9)DIGITAL	

TERMINAL BOARD ASSEMBLY <06>

PW1	LPA10116-03C	TERMINAL BOARD ASSY	
IC7101	BA7623F	IC	
IC7102	MM1511XN	IC	
IC7103	BA7623F	IC	
R7101	NRSA02J-750X	MG RESISTOR	75Ω,1/10W
R7102	NRSA02J-750X	MG RESISTOR	75Ω,1/10W
R7103	NRSA02J-750X	MG RESISTOR	75Ω,1/10W
R7104	NRSA02J-101X	MG RESISTOR	100Ω,1/10W
R7105	NRSA02J-101X	MG RESISTOR	100Ω,1/10W
R7106	NRSA02J-101X	MG RESISTOR	100Ω,1/10W
R7107	NRSA02J-750X	MG RESISTOR	75Ω,1/10W
R7108	NRSA02J-750X	MG RESISTOR	75Ω,1/10W
R7109	NRSA02J-750X	MG RESISTOR	75Ω,1/10W
R7110	NRSA02J-101X	MG RESISTOR	100Ω,1/10W
R7111	NRSA02J-101X	MG RESISTOR	100Ω,1/10W
R7112	NRSA02J-101X	MG RESISTOR	100Ω,1/10W
R7113	NRSA02J-750X	MG RESISTOR	75Ω,1/10W
R7114	NRSA02J-750X	MG RESISTOR	75Ω,1/10W
R7115	NRSA02J-750X	MG RESISTOR	75Ω,1/10W
R7116	NRSA02J-101X	MG RESISTOR	100Ω,1/10W
R7117	NRSA02J-101X	MG RESISTOR	100Ω,1/10W
R7118	NRSA02J-750X	MG RESISTOR	75Ω,1/10W
R7119	QRE141J-750Y	RESISTOR	75Ω,1/4W
R7120	NRSA02J-750X	MG RESISTOR	75Ω,1/10W
R7121	NRSA02J-750X	MG RESISTOR	75Ω,1/10W
R7122	QRE141J-750Y	RESISTOR	75Ω,1/4W
R7123	QRE141J-750Y	RESISTOR	75Ω,1/4W
R7125	NRSA02J-101X	MG RESISTOR	100Ω,1/10W
R7126	NRSA02J-101X	MG RESISTOR	100Ω,1/10W
R7151	NRSA02J-101X	MG RESISTOR	100Ω,1/10W
B7111	NRSA02J-0R0X	MG RESISTOR	0Ω,1/10W
B7112	NRSA02J-0R0X	MG RESISTOR	0Ω,1/10W
B7113	NRSA02J-0R0X	MG RESISTOR	0Ω,1/10W
B7114	NRSA02J-0R0X	MG RESISTOR	0Ω,1/10W
B7117	NRSA02J-0R0X	MG RESISTOR	0Ω,1/10W
B7118	NRSA02J-0R0X	MG RESISTOR	0Ω,1/10W
C7101	NRSA02J-0R0X	MG RESISTOR	0Ω,1/10W
C7102	NRSA02J-0R0X	MG RESISTOR	0Ω,1/10W
C7103	QEKJ0JM-107	E CAPACITOR	100μF,6.3V
C7104	NCB21HK-103X	CAPACITOR	0.01μF,50V
C7105	QETL0JM-108	E CAPACITOR	1000μF,6.3V
C7106	NCB21HK-103X	CAPACITOR	0.01μF,50V
C7107	QETL0JM-108	E CAPACITOR	1000μF,6.3V
C7109	NRSA02J-0R0X	MG RESISTOR	0Ω,1/10W
C7110	NCB21HK-103X	CAPACITOR	0.01μF,50V
C7117	QEKJ1CM-106	E CAPACITOR	10μF,16V
C7118	NCB21HK-103X	CAPACITOR	0.01μF,50V
C7119	QEKJ0JM-476	E CAPACITOR	47μF,6.3V

A/C HEAD BOARD ASSEMBLY <12>

PW1	LPA10010-01A1	A/C HEAD BOARD ASSY
CN1	QGF1208F1-07	FPC CONNECTOR

S-SUB BOARD ASSEMBLY <15>

PW1	LPA10103-05A	S-SUB BOARD ASSY	
IC501	JCP8038	IC	
IC502	VC2076DP	IC	
R503	NRSA02J-221X	MG RESISTOR	220Ω,1/10W
R504	NRSA02J-362X	MG RESISTOR	3.6kΩ,1/10W
R505	NRSA02J-392X	MG RESISTOR	3.9kΩ,1/10W
R506	NRSA02J-391X	MG RESISTOR	390Ω,1/10W
R507	NRSA02J-122X	MG RESISTOR	1.2kΩ,1/10W
R508	NRSA02J-151X	MG RESISTOR	150Ω,1/10W
R509	NRSA02J-162X	MG RESISTOR	1.6kΩ,1/10W
R510	NRVA02D-102X	CMF RESISTOR	1kΩ,1/10W
R511	NRVA02D-471X	CMF RESISTOR	470Ω,1/10W
R512	NRVA02D-102X	CMF RESISTOR	1kΩ,1/10W
R513	NRVA02D-152X	CMF RESISTOR	1.5kΩ,1/10W
R514	NRVA02D-332X	CMF RESISTOR	3.3kΩ,1/10W
R515	NRVA02D-332X	CMF RESISTOR	3.3kΩ,1/10W
R516	NRSA02J-0R0X	MG RESISTOR	0Ω,1/10W
R517	NRSA02J-0R0X	MG RESISTOR	0Ω,1/10W
R522	NRSA02J-103X	MG RESISTOR	10kΩ,1/10W
R523	NRSA02J-103X	MG RESISTOR	10kΩ,1/10W

#	△ REF No.	PART No.	PART NAME, DESCRIPTION	#	△ REF No.	PART No.	PART NAME, DESCRIPTION
R524		NRSA02J-103X	MG RESISTOR	10kΩ,1/10W	BK1	LP40077-001A	BRACKET(BOARD)
R525		NRSA02J-125X	MG RESISTOR	1.2MΩ,1/10W	CN511	QGG2503K2-30	HEADER PIN,(1-30)MAIN
R527		NRSA02J-332X	MG RESISTOR	3.3kΩ,1/10W	CN512	QGF1209F2-14	FFC/FPC CONNE,(1-14)MAIN
R531		NRSA02J-101X	MG RESISTOR	100Ω,1/10W	***** DISPLAY BOARD ASSEMBLY <28>		
R532		NRSA02J-101X	MG RESISTOR	100Ω,1/10W			
R533		NRSA02J-101X	MG RESISTOR	100Ω,1/10W			
R534		NRSA02J-101X	MG RESISTOR	100Ω,1/10W			
R535		NRSA02J-101X	MG RESISTOR	100Ω,1/10W			
R536		NRSA02J-101X	MG RESISTOR	100Ω,1/10W			
B501		NRSA02J-0R0X	MG RESISTOR	0Ω,1/10W			
B503		NRSA02J-0R0X	MG RESISTOR	0Ω,1/10W			
C501		QEKJ1HM-225	E CAPACITOR	2.2μF,50V			
C502		QEKJ1EM-475	E CAPACITOR	4.7μF,25V			
C503		QEKJ1HM-225	E CAPACITOR	2.2μF,50V			
C504		NCB21EK-104X	CAPACITOR	0.1μF,25V			
C505		QEKJ1EM-475	E CAPACITOR	4.7μF,25V			
C506		NCB21EK-104X	CAPACITOR	0.1μF,25V			
C507		QEKJ0JM-227	E CAPACITOR	220μF,6.3V			
C508		QEPF1HM-474	NP E CAPACITOR	0.47μF,50V			
C509		QEKJ1CM-106	E CAPACITOR	10μF,16V			
C510		QEKJ0JM-227	E CAPACITOR	220μF,6.3V			
C511		NCB21HK-103X	CAPACITOR	0.01μF,50V			
C512		NCB21HK-103X	CAPACITOR	0.01μF,50V			
C513		QEKJ1EM-475	E CAPACITOR	4.7μF,25V			
C514		NCB21HK-103X	CAPACITOR	0.01μF,50V			
C515		NCB21HK-103X	CAPACITOR	0.01μF,50V			
C516		NCB21HK-103X	CAPACITOR	0.01μF,50V			
C517		NCF21EZ-104X	CAPACITOR	0.1μF,25V			
C518		NCB21EK-104X	CAPACITOR	0.1μF,25V			
C519		QEKJ1HM-225	E CAPACITOR	2.2μF,50V			
C520		QERF1EM-475	E CAPACITOR	4.7μF,25V			
C521		QEKJ1EM-475	E CAPACITOR	4.7μF,25V			
C522		QEKJ1HM-225	E CAPACITOR	2.2μF,50V			
C523		QEKJ1HM-225	E CAPACITOR	2.2μF,50V			
C524		NDC21HG-301X	CAPACITOR	300pF,50V			
C525		NDC21HG-301X	CAPACITOR	300pF,50V			
C526		NDC21HJ-101X	CAPACITOR	100pF,50V			
C527		NDC21HJ-181X	CAPACITOR	180pF,50V			
C528		NDC21HG-271X	CAPACITOR	270pF,50V			
C529		NDC21HG-820X	CAPACITOR	82pF,50V			
C530		NDC21HG-221X	CAPACITOR	220pF,50V			
C531		NDC21HG-301X	CAPACITOR	300pF,50V			
C532		NDC21HG-301X	CAPACITOR	300pF,50V			
C533		NCB21HK-103X	CAPACITOR	0.01μF,50V			
C534		QETJ0JM-477	E CAPACITOR	470μF,6.3V			
C535		NCB21HK-103X	CAPACITOR	0.01μF,50V			
C551		QEKJ1HM-105	E CAPACITOR	1μF,50V			
C552		NCB21HK-103X	CAPACITOR	0.01μF,50V			
C553		NCB21HK-103X	CAPACITOR	0.01μF,50V			
C554		QEKJ1HM-105	E CAPACITOR	1μF,50V			
C555		NCB21HK-103X	CAPACITOR	0.01μF,50V			
C556		NCB21HK-103X	CAPACITOR	0.01μF,50V			
C557		QEKJ1HM-105	E CAPACITOR	1μF,50V			
C558		NCB21HK-103X	CAPACITOR	0.01μF,50V			
C559		NCB21HK-103X	CAPACITOR	0.01μF,50V			
C560		QEKJ1HM-105	E CAPACITOR	1μF,50V			
C561		QEKJ1HM-105	E CAPACITOR	1μF,50V			
C563		NCB21HK-103X	CAPACITOR	0.01μF,50V			
L501		QQL29BJ-100Z	COIL	10μH			
L503		QQL29BJ-100Z	COIL	10μH			
L504		QQL29BJ-100Z	COIL	10μH			
PW1		LPA10133-01B1	DISPLAY BOARD ASSY				
IC7001		UPD16315GB-3BS	IC				
IC7002		GP1U281X	IR DETECT UNIT				
		or PNA4652M00XB	IR DETECT UNIT				
D7001		1SS133	DIODE				
		or 1SS270A	DIODE				
D7002		1SS133	DIODE				
		or 1SS270A	DIODE				
D7003		1SS133	DIODE				
		or 1SS270A	DIODE				
D7004		1SS133	DIODE				
		or 1SS270A	DIODE				
D7005		1SS133	DIODE				
		or 1SS270A	DIODE				
D7006		1SS133	DIODE				
		or 1SS270A	DIODE				
D7007		1SS133	DIODE				
		or 1SS270A	DIODE				
D7008		1SS133	DIODE				
		or 1SS270A	DIODE				
D7010		1SS133	DIODE				
		or 1SS270A	DIODE				
D7011		RD9.1ES/B2/-T2	ZENER DIODE				
D7041		SLR-342MC3F	LE DIODE				
D7042		SLR-342MC3F	LE DIODE				
R7001		QRE141J-103Y	RESISTOR	10kΩ,1/4W			
R7002		QRE141J-103Y	RESISTOR	10kΩ,1/4W			
R7003		NRSA02J-823X	MG RESISTOR	82kΩ,1/10W			
R7005		QRE141J-472Y	RESISTOR	4.7kΩ,1/4W			
R7006		QRE141J-472Y	RESISTOR	4.7kΩ,1/4W			
R7007		QRE141J-102Y	RESISTOR	1kΩ,1/4W			
R7009		QRE141J-103Y	RESISTOR	10kΩ,1/4W			
R7010		NRSA02J-103X	MG RESISTOR	10kΩ,1/10W			
R7013		NRSA02J-333X	MG RESISTOR	33kΩ,1/10W			
R7014		NRSA02J-333X	MG RESISTOR	33kΩ,1/10W			
R7015		QRE141J-102Y	RESISTOR	1kΩ,1/4W			
R7016		QUY153-050Y	IM BUS WIRE				
R7043		NRSA02J-331X	MG RESISTOR	330Ω,1/10W			
R7044		NRSA02J-331X	MG RESISTOR	330Ω,1/10W			
R7101		QUY153-050Y	IM BUS WIRE				
B7001		QUY153-050Y	IM BUS WIRE				
C7001		NCB21EK-104X	CAPACITOR	0.1μF,25V			
C7002		NCB21EK-104X	CAPACITOR	0.1μF,25V			
C7003		QEKJ1HM-106	E CAPACITOR	10μF,50V			
C7004		NDC21HJ-330X	CAPACITOR	33pF,50V			
C7005		NDC21HJ-330X	CAPACITOR	33pF,50V			
C7006		QEKJ0JM-227	E CAPACITOR	220μF,6.3V			
C7008		QEKJ0JM-227	E CAPACITOR	220μF,6.3V			
C7010		NCB21HK-473X	CAPACITOR	0.047μF,50V			
C7011		QCFB1HZ-473	CAPACITOR	0.047μF,50V			
L7001		QUY153-050Y	IM BUS WIRE				

#	△ REF No.	PART No.	PART NAME, DESCRIPTION
S7001		QSW0381-001Z	TACT SWITCH,PLAY
S7002		QSW0381-001Z	TACT SWITCH,STOP/EJECT
S7003		QSW0381-001Z	TACT SWITCH,REC
S7004		QSW0381-001Z	TACT SWITCH,PAUSE
S7005		QSW0381-001Z	TACT SWITCH,REW
S7006		QSW0381-001Z	TACT SWITCH,FF
S7007		QSW0381-001Z	TACT SWITCH,D-VHS
S7008		QSW0381-001Z	TACT SWITCH,REC SPEED
S7009		QSW0381-001Z	TACT SWITCH,CH-
S7010		QSW0381-001Z	TACT SWITCH,CH+
S7011		QSW0381-001Z	TACT SWITCH,S-ET
S7012		QSW0381-001Z	TACT SWITCH,TBC/NR
S7013		QSW0381-001Z	TACT SWITCH,DISPLAY
S7014		QSW0381-001Z	TACT SWITCH,TIMER
S7015		QSW0381-001Z	TACT SWITCH,POWER
DI7001		QLF0078-001	FL TUBE
HD1		PQM30038-2-2	LED HOLDER,D7041
HD2		PQM30038-2-2	LED HOLDER,D7042
HD3		LP30428-001A	FDP HOLDER(L),DI7001
HD4		LP30429-001A	FDP HOLDER(R),DI7001
CN7002		QGF1201C2-10	FPC CONNECTOR,(1-10)MAIN
CN7005		QGF1201C1-05	FPC CONNECTOR,(1-5)SW.REG

REC SAFETY BOARD ASSEMBLY <32>

PW3	LPA10133-01B3	REC SAFETY BOARD ASSY
S7061	QSW0602-004	PUSH SWITCH
S7063	QSW0695-001	PUSH SWITCH,D.CASS SW
FW7081	QUM033-07A4A4	PARA RIBON WIRE

JACK BOARD ASSEMBLY <36>

PW2	LPA10133-01B2	JACK BOARD ASSY
D7199	RD9.1ES/B2/-T2	ZENER DIODE
R7191	NRSA02J-750X	MG RESISTOR 75Ω,1/10W
R7192	NRSA02J-0R0X	MG RESISTOR 0Ω,1/10W
R7193	NRSA02J-750X	MG RESISTOR 75Ω,1/10W
R7194	NRSA02J-820X	MG RESISTOR 82Ω,1/10W
C7196	NCB21EK-103X	CAPACITOR 0.01μF,25V
L7191	NRSA02J-101X	MG RESISTOR 100Ω,1/10W
L7192	NRSA02J-101X	MG RESISTOR 100Ω,1/10W
L7193	NRSA02J-0R0X	MG RESISTOR 0Ω,1/10W
L7194	NRSA02J-0R0X	MG RESISTOR 0Ω,1/10W
J7191	QNN0371-004	PIN JACK,VIDEO IN
J7192	QNN0372-003	PIN JACK,AUDED IN(L)
J7193	QNN0372-002	PIN JACK,AUDIO IN(R)
J7194	QND0010-001	S JACK,S VIDEO
CN7191	QGF1207C1-11	FPC CONNECTOR,(1-11)MAIN

#	△ REF No.	PART No.	PART NAME, DESCRIPTION

D-PRE/REC BOARD ASSEMBLY <43>

PW1	LPA10136-02A	D-PRE/REC BOARD ASSY
IC601	JCP0024	IC
IC602	JCP0024	IC
IC603	TC74HC02AF	IC
IC604	TC74HC08AF	IC
IC605	BA10358F-XE	IC
IC606	CXA1211M	IC
IC607	CXA1211M	IC
Q601	2SA1532/C/-X	TRANSISTOR
Q602	2SA1532/C/-X	TRANSISTOR
Q603	2SA1532/C/-X	TRANSISTOR
Q604	2SC3936/BC/-X	TRANSISTOR
Q605	2SC3936/BC/-X	TRANSISTOR
Q606	2SC3936/BC/-X	TRANSISTOR
Q607	2SC4226/4/-X	TRANSISTOR
Q608	2SC4226/4/-X	TRANSISTOR
Q609	2SC4226/4/-X	TRANSISTOR
Q610	2SC4081/QRS/-X	TRANSISTOR
	or 2PC4081/R/-X	TRANSISTOR
	or 2SD1819A/QRS/-X	TRANSISTOR
Q611	2SC4081/QRS/-X	TRANSISTOR
	or 2SD1819A/QRS/-X	TRANSISTOR
	or 2PC4081/R/-X	TRANSISTOR
Q612	2SC4081/QRS/-X	TRANSISTOR
	or 2PC4081/R/-X	TRANSISTOR
	or 2SD1819A/QRS/-X	TRANSISTOR
Q613	2SC4081/QRS/-X	TRANSISTOR
	or 2SD1819A/QRS/-X	TRANSISTOR
	or 2PC4081/R/-X	TRANSISTOR
Q614	2SC4081/QRS/-X	TRANSISTOR
	or 2PC4081/R/-X	TRANSISTOR
	or 2SD1819A/QRS/-X	TRANSISTOR
Q615	2SC3936/BC/-X	TRANSISTOR
Q616	2SC3936/BC/-X	TRANSISTOR
Q617	2SC3936/BC/-X	TRANSISTOR
Q618	2SC4670	TRANSISTOR
Q619	2SC4670	TRANSISTOR
Q620	2SC4670	TRANSISTOR
Q621	DTA114EU	TRANSISTOR
	or PDA114EU	TRANSISTOR
	or RN2302	TRANSISTOR
	or UN5111	TRANSISTOR
Q622	DTA114EU	TRANSISTOR
	or RN2302	TRANSISTOR
	or UN5111	TRANSISTOR
	or PDA114EU	TRANSISTOR
Q623	2SC4081/QRS/-X	TRANSISTOR
	or 2SD1819A/QRS/-X	TRANSISTOR
	or 2PC4081/R/-X	TRANSISTOR
Q624	2SC4081/QRS/-X	TRANSISTOR
	or 2PC4081/R/-X	TRANSISTOR
	or 2SD1819A/QRS/-X	TRANSISTOR
Q625	2SC4081/QRS/-X	TRANSISTOR
	or 2SD1819A/QRS/-X	TRANSISTOR
	or 2PC4081/R/-X	TRANSISTOR
Q626	2SC4081/QRS/-X	TRANSISTOR
	or 2PC4081/R/-X	TRANSISTOR

#	△	REF No.	PART No.	PART NAME, DESCRIPTION	#	△	REF No.	PART No.	PART NAME, DESCRIPTION
			or 2SD1819A/QRS/-X	TRANSISTOR				or 2SB1218A/QR/-X	TRANSISTOR
Q627			2SC4081/QRS/-X	TRANSISTOR	Q654			2SA1576A/QR/-X	TRANSISTOR
			or 2SD1819A/QRS/-X	TRANSISTOR				or 2SB1218A/QR/-X	TRANSISTOR
			or 2PC4081/R/-X	TRANSISTOR				or 2PA1576/R/-X	TRANSISTOR
Q628			2SC4081/QRS/-X	TRANSISTOR	Q655			2SA1576A/QR/-X	TRANSISTOR
			or 2PC4081/R/-X	TRANSISTOR				or 2PA1576/R/-X	TRANSISTOR
			or 2SD1819A/QRS/-X	TRANSISTOR				or 2SB1218A/QR/-X	TRANSISTOR
Q629			2SA1576A/QR/-X	TRANSISTOR	Q656			2SA1576A/QR/-X	TRANSISTOR
			or 2PA1576/R/-X	TRANSISTOR				or 2SB1218A/QR/-X	TRANSISTOR
			or 2SB1218A/QR/-X	TRANSISTOR				or 2PA1576/R/-X	TRANSISTOR
Q630			2SA1576A/QR/-X	TRANSISTOR	Q661			2SC4081/QRS/-X	TRANSISTOR
			or 2PA1576/R/-X	TRANSISTOR				or 2SD1819A/QRS/-X	TRANSISTOR
			or 2SB1218A/QR/-X	TRANSISTOR				or 2PC4081/R/-X	TRANSISTOR
Q631			2SA1576A/QR/-X	TRANSISTOR	Q662			2SC4081/QRS/-X	TRANSISTOR
			or 2SB1218A/QR/-X	TRANSISTOR				or 2PC4081/R/-X	TRANSISTOR
			or 2PA1576/R/-X	TRANSISTOR				or 2SD1819A/QRS/-X	TRANSISTOR
Q632			2SA1576A/QR/-X	TRANSISTOR	Q663			2SC4081/QRS/-X	TRANSISTOR
			or 2PA1576/R/-X	TRANSISTOR				or 2SD1819A/QRS/-X	TRANSISTOR
			or 2SB1218A/QR/-X	TRANSISTOR				or 2PC4081/R/-X	TRANSISTOR
Q633			2SA1576A/QR/-X	TRANSISTOR	Q664			2SC4081/QRS/-X	TRANSISTOR
			or 2SB1218A/QR/-X	TRANSISTOR				or 2PC4081/R/-X	TRANSISTOR
			or 2PA1576/R/-X	TRANSISTOR				or 2SD1819A/QRS/-X	TRANSISTOR
Q634			2SA1576A/QR/-X	TRANSISTOR	Q665			DTA144WU	TRANSISTOR
			or 2PA1576/R/-X	TRANSISTOR				or PDTA144WU	TRANSISTOR
			or 2SB1218A/QR/-X	TRANSISTOR				or RN2309	TRANSISTOR
Q635			2SA1532/C/-X	TRANSISTOR				or UN511E	TRANSISTOR
Q636			2SA1532/C/-X	TRANSISTOR	Q666			DTC144WU	TRANSISTOR
Q637			2SC3936/BC/-X	TRANSISTOR				or PDTC144WU	TRANSISTOR
Q638			2SC3936/BC/-X	TRANSISTOR				or RN1309	TRANSISTOR
Q639			2SC4226/4/-X	TRANSISTOR				or UN521E	TRANSISTOR
Q640			2SC4226/4/-X	TRANSISTOR	Q667			DTA144WU	TRANSISTOR
Q641			2SC4081/QRS/-X	TRANSISTOR				or PDTA144WU	TRANSISTOR
			or 2SD1819A/QRS/-X	TRANSISTOR				or UN511E	TRANSISTOR
			or 2PC4081/R/-X	TRANSISTOR				or RN2309	TRANSISTOR
Q642			2SC4081/QRS/-X	TRANSISTOR	Q668			DTC144WU	TRANSISTOR
			or 2PC4081/R/-X	TRANSISTOR				or PDTC144WU	TRANSISTOR
			or 2SD1819A/QRS/-X	TRANSISTOR				or RN1309	TRANSISTOR
Q643			2SC4081/QRS/-X	TRANSISTOR				or UN521E	TRANSISTOR
			or 2SD1819A/QRS/-X	TRANSISTOR	Q669			DTA144WU	TRANSISTOR
			or 2PC4081/R/-X	TRANSISTOR				or PDTA144WU	TRANSISTOR
Q644			2SC4081/QRS/-X	TRANSISTOR				or RN2309	TRANSISTOR
			or 2PC4081/R/-X	TRANSISTOR				or UN511E	TRANSISTOR
			or 2SD1819A/QRS/-X	TRANSISTOR	Q670			DTC144WU	TRANSISTOR
Q645			2SC3936/BC/-X	TRANSISTOR				or PDTC144WU	TRANSISTOR
Q646			2SC3936/BC/-X	TRANSISTOR				or RN1309	TRANSISTOR
Q647			2SC4670	TRANSISTOR				or UN521E	TRANSISTOR
Q648			2SC4670	TRANSISTOR	Q671			DTA144WU	TRANSISTOR
Q649			2SC4081/QRS/-X	TRANSISTOR				or RN2309	TRANSISTOR
			or 2SD1819A/QRS/-X	TRANSISTOR				or UN511E	TRANSISTOR
			or 2PC4081/R/-X	TRANSISTOR				or PDTA144WU	TRANSISTOR
Q650			2SC4081/QRS/-X	TRANSISTOR	Q672			DTA144WU	TRANSISTOR
			or 2PC4081/R/-X	TRANSISTOR				or PDTA144WU	TRANSISTOR
			or 2SD1819A/QRS/-X	TRANSISTOR				or UN511E	TRANSISTOR
Q651			2SC4081/QRS/-X	TRANSISTOR				or RN2309	TRANSISTOR
			or 2SD1819A/QRS/-X	TRANSISTOR	Q673			DTA144WU	TRANSISTOR
			or 2PC4081/R/-X	TRANSISTOR				or PDTA144WU	TRANSISTOR
Q652			2SC4081/QRS/-X	TRANSISTOR				or RN2309	TRANSISTOR
			or 2PC4081/R/-X	TRANSISTOR				or UN511E	TRANSISTOR
			or 2SD1819A/QRS/-X	TRANSISTOR	D601			1SS355	DIODE
Q653			2SA1576A/QR/-X	TRANSISTOR	D602			1SS355	DIODE
			or 2PA1576/R/-X	TRANSISTOR	D604			1SS355	DIODE

#	△ REF No.	PART No.	PART NAME, DESCRIPTION	#	△ REF No.	PART No.	PART NAME, DESCRIPTION
D605		1SS355	DIODE	R661		NRSA02J-102X	MG RESISTOR 1kΩ,1/10W
D606		1SS355	DIODE	R662		NRSA02J-102X	MG RESISTOR 1kΩ,1/10W
D607		DA204U	DIODE	R663		NRSA02J-102X	MG RESISTOR 1kΩ,1/10W
D608		1SS355	DIODE	R664		NRSA02J-750X	MG RESISTOR 75Ω,1/10W
R601		NRVA02D-100X	CMF RESISTOR 10Ω,1/10W	R665		NRSA02J-471X	MG RESISTOR 470Ω,1/10W
R602		NRSA02J-471X	MG RESISTOR 470Ω,1/10W	R666		NRSA02J-100X	MG RESISTOR 10Ω,1/10W
R603		NRSA02J-471X	MG RESISTOR 470Ω,1/10W	R667		NRVA02D-100X	CMF RESISTOR 10Ω,1/10W
R604		NRSA02J-100X	MG RESISTOR 10Ω,1/10W	R668		NRSA02J-471X	MG RESISTOR 470Ω,1/10W
R605		NRSA02J-471X	MG RESISTOR 470Ω,1/10W	R669		NRSA02J-471X	MG RESISTOR 470Ω,1/10W
R606		NRSA02J-100X	MG RESISTOR 10Ω,1/10W	R670		NRSA02J-102X	MG RESISTOR 1kΩ,1/10W
R607		NRSA02J-471X	MG RESISTOR 470Ω,1/10W	R671		NRSA02J-331X	MG RESISTOR 330Ω,1/10W
R608		NRSA02J-471X	MG RESISTOR 470Ω,1/10W	R672		NRSA02J-154X	MG RESISTOR 150kΩ,1/10W
R609		NRSA02J-471X	MG RESISTOR 470Ω,1/10W	R673		NRSA02J-102X	MG RESISTOR 1kΩ,1/10W
R610		NRSA02J-102X	MG RESISTOR 1kΩ,1/10W	R674		NRSA02J-102X	MG RESISTOR 1kΩ,1/10W
R611		NRSA02J-102X	MG RESISTOR 1kΩ,1/10W	R675		NRSA02J-154X	MG RESISTOR 150kΩ,1/10W
R612		NRSA02J-102X	MG RESISTOR 1kΩ,1/10W	R676		NRSA02J-331X	MG RESISTOR 330Ω,1/10W
R613		NRSA02J-181X	MG RESISTOR 180Ω,1/10W	R677		NRSA02J-102X	MG RESISTOR 1kΩ,1/10W
R614		NRSA02J-154X	MG RESISTOR 150kΩ,1/10W	R678		NRSA02J-102X	MG RESISTOR 1kΩ,1/10W
R615		NRSA02J-102X	MG RESISTOR 1kΩ,1/10W	R680		NRSA02J-334X	MG RESISTOR 330kΩ,1/10W
R616		NRSA02J-181X	MG RESISTOR 180Ω,1/10W	R681		NRSA02J-0R0X	MG RESISTOR 0Ω,1/10W
R617		NRSA02J-154X	MG RESISTOR 150kΩ,1/10W	R682		NRSA02J-151X	MG RESISTOR 150Ω,1/10W
R618		NRSA02J-102X	MG RESISTOR 1kΩ,1/10W	R683		NRSA02J-750X	MG RESISTOR 75Ω,1/10W
R619		NRSA02J-102X	MG RESISTOR 1kΩ,1/10W	R684		NRSA02J-102X	MG RESISTOR 1kΩ,1/10W
R620		NRSA02J-154X	MG RESISTOR 150kΩ,1/10W	R685		NRSA02J-102X	MG RESISTOR 1kΩ,1/10W
R621		NRSA02J-151X	MG RESISTOR 150Ω,1/10W	R686		NRSA02J-471X	MG RESISTOR 470Ω,1/10W
R622		NRSA02J-102X	MG RESISTOR 1kΩ,1/10W	R687		NRVA02D-330X	CMF RESISTOR 33Ω,1/10W
R623		NRSA02J-102X	MG RESISTOR 1kΩ,1/10W	R688		NRSA02J-471X	MG RESISTOR 470Ω,1/10W
R625		NRSA02J-334X	MG RESISTOR 330kΩ,1/10W	R689		NRVA02D-330X	CMF RESISTOR 33Ω,1/10W
R627		NRSA02J-0R0X	MG RESISTOR 0Ω,1/10W	R690		NRSA02J-103X	MG RESISTOR 10kΩ,1/10W
R628		NRSA02J-151X	MG RESISTOR 150Ω,1/10W	R691		NRSA02J-682X	MG RESISTOR 6.8kΩ,1/10W
R629		NRSA02J-750X	MG RESISTOR 75Ω,1/10W	R692		NRSA02J-103X	MG RESISTOR 10kΩ,1/10W
R630		NRSA02J-102X	MG RESISTOR 1kΩ,1/10W	R693		NRSA02J-682X	MG RESISTOR 6.8kΩ,1/10W
R631		NRSA02J-102X	MG RESISTOR 1kΩ,1/10W	R694		NRSA02J-101X	MG RESISTOR 100Ω,1/10W
R632		NRSA02J-102X	MG RESISTOR 1kΩ,1/10W	R695		NRSA02J-101X	MG RESISTOR 100Ω,1/10W
R633		NRSA02J-471X	MG RESISTOR 470Ω,1/10W	R696		NRSA02J-102X	MG RESISTOR 1kΩ,1/10W
R634		NRVA02D-330X	CMF RESISTOR 33Ω,1/10W	R697		NRSA02J-471X	MG RESISTOR 470Ω,1/10W
R636		NRSA02J-511X	MG RESISTOR 510Ω,1/10W	R698		NRSA02J-102X	MG RESISTOR 1kΩ,1/10W
R637		NRVA02D-330X	CMF RESISTOR 33Ω,1/10W	R699		NRSA02J-471X	MG RESISTOR 470Ω,1/10W
R638		NRSA02J-471X	MG RESISTOR 470Ω,1/10W	R700		NRSA02J-103X	MG RESISTOR 10kΩ,1/10W
R639		NRVA02D-330X	CMF RESISTOR 33Ω,1/10W	R701		NRSA02J-153X	MG RESISTOR 15kΩ,1/10W
R640		NRSA02J-103X	MG RESISTOR 10kΩ,1/10W	R702		NRSA02J-102X	MG RESISTOR 1kΩ,1/10W
R641		NRSA02J-682X	MG RESISTOR 6.8kΩ,1/10W	R703		NRSA02J-102X	MG RESISTOR 1kΩ,1/10W
R642		NRSA02J-103X	MG RESISTOR 10kΩ,1/10W	R704		NRSA02J-102X	MG RESISTOR 1kΩ,1/10W
R643		NRSA02J-682X	MG RESISTOR 6.8kΩ,1/10W	R705		NRSA02J-102X	MG RESISTOR 1kΩ,1/10W
R644		NRSA02J-103X	MG RESISTOR 10kΩ,1/10W	R706		NRSA02J-750X	MG RESISTOR 75Ω,1/10W
R645		NRSA02J-682X	MG RESISTOR 6.8kΩ,1/10W	R714		NRSA02J-102X	MG RESISTOR 1kΩ,1/10W
R646		NRSA02J-101X	MG RESISTOR 100Ω,1/10W	R715		NRSA02J-152X	MG RESISTOR 1.5kΩ,1/10W
R647		NRSA02J-101X	MG RESISTOR 100Ω,1/10W	R716		NRSA02J-102X	MG RESISTOR 1kΩ,1/10W
R648		NRSA02J-101X	MG RESISTOR 100Ω,1/10W	R719		NRSA02J-152X	MG RESISTOR 1.5kΩ,1/10W
R649		NRSA02J-102X	MG RESISTOR 1kΩ,1/10W	R720		NRSA02J-102X	MG RESISTOR 1kΩ,1/10W
R650		NRSA02J-471X	MG RESISTOR 470Ω,1/10W	R721		NRSA02J-183X	MG RESISTOR 18kΩ,1/10W
R651		NRSA02J-102X	MG RESISTOR 1kΩ,1/10W	R722		NRSA02J-103X	MG RESISTOR 10kΩ,1/10W
R652		NRSA02J-471X	MG RESISTOR 470Ω,1/10W	R723		NRSA02J-102X	MG RESISTOR 1kΩ,1/10W
R653		NRSA02J-102X	MG RESISTOR 1kΩ,1/10W	R724		NRSA02J-102X	MG RESISTOR 1kΩ,1/10W
R654		NRSA02J-471X	MG RESISTOR 470Ω,1/10W	R725		NRSA02J-271X	MG RESISTOR 270Ω,1/10W
R655		NRSA02J-103X	MG RESISTOR 10kΩ,1/10W	R726		NRSA02J-560X	MG RESISTOR 56Ω,1/10W
R656		NRSA02J-153X	MG RESISTOR 15kΩ,1/10W	R727		NRSA02J-473X	MG RESISTOR 47kΩ,1/10W
R657		NRSA02J-103X	MG RESISTOR 10kΩ,1/10W	R728		NRSA02J-103X	MG RESISTOR 10kΩ,1/10W
R658		NRSA02J-153X	MG RESISTOR 15kΩ,1/10W	R730		NRSA02J-102X	MG RESISTOR 1kΩ,1/10W
R659		NRSA02J-102X	MG RESISTOR 1kΩ,1/10W	R736		NRSA02J-103X	MG RESISTOR 10kΩ,1/10W
R660		NRSA02J-102X	MG RESISTOR 1kΩ,1/10W	R737		NRSA02J-0R0X	MG RESISTOR 0Ω,1/10W

#	△	REF No.	PART No.	PART NAME, DESCRIPTION	#	△	REF No.	PART No.	PART NAME, DESCRIPTION	
R738			NRSA02J-102X	MG RESISTOR	1kΩ,1/10W	C644		NCB21EK-104X	CAPACITOR	0.1μF,25V
R739			NRSA02J-102X	MG RESISTOR	1kΩ,1/10W	C645		NCB21EK-104X	CAPACITOR	0.1μF,25V
R740			NRSA02J-0R0X	MG RESISTOR	0Ω,1/10W	C646		NCB21AK-105X	CAPACITOR	1μF,10V
R741			NRSA02J-103X	MG RESISTOR	10kΩ,1/10W	C647		NCB21HK-103X	CAPACITOR	0.01μF,50V
R742			NRSA02J-103X	MG RESISTOR	10kΩ,1/10W	C648		QEKJ0JM-107	E CAPACITOR	100μF,6.3V
R743			NRSA02J-0R0X	MG RESISTOR	0Ω,1/10W	C649		NCB21HK-103X	CAPACITOR	0.01μF,50V
R744			NRSA02J-0R0X	MG RESISTOR	0Ω,1/10W	C650		NCB21AK-105X	CAPACITOR	1μF,10V
R745			NRSA02J-0R0X	MG RESISTOR	0Ω,1/10W	C651		NCB21EK-104X	CAPACITOR	0.1μF,25V
R746			NRSA02J-223X	MG RESISTOR	22kΩ,1/10W	C652		NCB21AK-105X	CAPACITOR	1μF,10V
R747			NRSA02J-223X	MG RESISTOR	22kΩ,1/10W	C653		NCB21EK-104X	CAPACITOR	0.1μF,25V
R748			NRSA02J-223X	MG RESISTOR	22kΩ,1/10W	C654		QEKJ0JM-107	E CAPACITOR	100μF,6.3V
R749			NRSA02J-101X	MG RESISTOR	100Ω,1/10W	C655		NCB21HK-103X	CAPACITOR	0.01μF,50V
B1			NRSA02J-0R0X	MG RESISTOR	0Ω,1/10W	C656		NCB21HK-103X	CAPACITOR	0.01μF,50V
B2			NRSA02J-0R0X	MG RESISTOR	0Ω,1/10W	C657		NCB21EK-104X	CAPACITOR	0.1μF,25V
B3			NRSA02J-0R0X	MG RESISTOR	0Ω,1/10W	C658		NCB21HK-103X	CAPACITOR	0.01μF,50V
B4			NRSA02J-0R0X	MG RESISTOR	0Ω,1/10W	C659		QEKJ0JM-107	E CAPACITOR	100μF,6.3V
B5			NRSA02J-0R0X	MG RESISTOR	0Ω,1/10W	C660		NCB21HK-103X	CAPACITOR	0.01μF,50V
B6			NRSA02J-0R0X	MG RESISTOR	0Ω,1/10W	C661		NCB21AK-105X	CAPACITOR	1μF,10V
C601			NCB21EK-104X	CAPACITOR	0.1μF,25V	C662		NCB21AK-105X	CAPACITOR	1μF,10V
C602			NCB21EK-104X	CAPACITOR	0.1μF,25V	C663		NCB21EK-104X	CAPACITOR	0.1μF,25V
C603			NCB21EK-104X	CAPACITOR	0.1μF,25V	C664		NCB21EK-104X	CAPACITOR	0.1μF,25V
C604			NCB21HK-103X	CAPACITOR	0.01μF,50V	C665		NCB21AK-105X	CAPACITOR	1μF,10V
C605			NCB21AK-105X	CAPACITOR	1μF,10V	C666		NCB21AK-105X	CAPACITOR	1μF,10V
C606			NCB21AK-105X	CAPACITOR	1μF,10V	C667		NCB21EK-104X	CAPACITOR	0.1μF,25V
C607			NCB21HK-103X	CAPACITOR	0.01μF,50V	C668		NCB21EK-104X	CAPACITOR	0.1μF,25V
C608			NCB21AK-105X	CAPACITOR	1μF,10V	C669		NCB21HK-103X	CAPACITOR	0.01μF,50V
C609			NCB21HK-103X	CAPACITOR	0.01μF,50V	C670		NCB21HK-103X	CAPACITOR	0.01μF,50V
C610			NCB21EK-104X	CAPACITOR	0.1μF,25V	C671		NCB21HK-103X	CAPACITOR	0.01μF,50V
C611			NCB21AK-105X	CAPACITOR	1μF,10V	C672		QEKJ0JM-107	E CAPACITOR	100μF,6.3V
C612			QEKJ0JM-107	E CAPACITOR	100μF,6.3V	C673		NCB21AK-105X	CAPACITOR	1μF,10V
C613			NCB21HK-103X	CAPACITOR	0.01μF,50V	C674		NCB21HK-102X	CAPACITOR	0.001μF,50V
C614			NCB21AK-105X	CAPACITOR	1μF,10V	C678		NCB21HK-103X	CAPACITOR	0.01μF,50V
C615			NCB21EK-104X	CAPACITOR	0.1μF,25V	C679		QEKJ0JM-107	E CAPACITOR	100μF,6.3V
C616			NCB21AK-105X	CAPACITOR	1μF,10V	C680		NCB21HK-102X	CAPACITOR	0.001μF,50V
C617			NCB21EK-104X	CAPACITOR	0.1μF,25V	C681		NCB21HK-102X	CAPACITOR	0.001μF,50V
C618			QEKJ0JM-107	E CAPACITOR	100μF,6.3V	C682		NCB21HK-103X	CAPACITOR	0.01μF,50V
C619			NCB21HK-103X	CAPACITOR	0.01μF,50V	C683		NDC21HJ-471X	CAPACITOR	470pF,50V
C620			NCB21HK-103X	CAPACITOR	0.01μF,50V	C684		NCB21HK-103X	CAPACITOR	0.01μF,50V
C621			NCB21EK-104X	CAPACITOR	0.1μF,25V	C685		NCB21AK-105X	CAPACITOR	1μF,10V
C622			NCB21HK-103X	CAPACITOR	0.01μF,50V	C686		NCB21EK-104X	CAPACITOR	0.1μF,25V
C623			NCB21HK-103X	CAPACITOR	0.01μF,50V	C687		NCB21EK-104X	CAPACITOR	0.1μF,25V
C624			QEKJ0JM-107	E CAPACITOR	100μF,6.3V	C688		NCB21EK-104X	CAPACITOR	0.1μF,25V
C625			NCB21AK-105X	CAPACITOR	1μF,10V	C689		NCB21EK-104X	CAPACITOR	0.1μF,25V
C626			NCB21AK-105X	CAPACITOR	1μF,10V	C691		NCB21HK-103X	CAPACITOR	0.01μF,50V
C627			NCB21AK-105X	CAPACITOR	1μF,10V	C692		NCB21HK-103X	CAPACITOR	0.01μF,50V
C628			NCB21EK-104X	CAPACITOR	0.1μF,25V	C693		NCB21HK-103X	CAPACITOR	0.01μF,50V
C629			NCB21EK-104X	CAPACITOR	0.1μF,25V	C694		NCB21HK-103X	CAPACITOR	0.01μF,50V
C630			NCB21EK-104X	CAPACITOR	0.1μF,25V	L601		QQL29BJ-100Z	COIL	10μH
C631			NCB21AK-105X	CAPACITOR	1μF,10V	L602		QQL29BJ-100Z	COIL	10μH
C632			NCB21AK-105X	CAPACITOR	1μF,10V	L603		QQL29BJ-100Z	COIL	10μH
C633			NCB21AK-105X	CAPACITOR	1μF,10V	L604		QQL29BJ-101Z	COIL	100μH
C634			NCB21EK-104X	CAPACITOR	0.1μF,25V	L605		QQL29BJ-100Z	COIL	10μH
C635			NCB21EK-104X	CAPACITOR	0.1μF,25V	L606		QQL29BJ-100Z	COIL	10μH
C636			NCB21EK-104X	CAPACITOR	0.1μF,25V	L607		QQL29BJ-100Z	COIL	10μH
C637			NCB21HK-103X	CAPACITOR	0.01μF,50V	L608		QQL29BJ-101Z	COIL	100μH
C638			NCB21HK-103X	CAPACITOR	0.01μF,50V	L609		QQL29BJ-100Z	COIL	10μH
C639			NCB21HK-103X	CAPACITOR	0.01μF,50V	SD1		LP20940-001A	SHIELD FRAME(PRE)	
C640			QEKJ0JM-107	E CAPACITOR	100μF,6.3V	CN601		QGA2001F1-04	CONNECTOR,(1-4)DIGITAL	
C641			NCB21HK-103X	CAPACITOR	0.01μF,50V	CN603		QGA2001F1-04	CONNECTOR,(1-4)DIGITAL	
C642			NCB21HK-103X	CAPACITOR	0.01μF,50V	CN605		QGB2024J1-14S	CONNECTOR,(1-14)MAIN	
C643			NCB21AK-105X	CAPACITOR	1μF,10V	CN606		QGF1202C1-10	FPC CONNECTOR,(1-10)U.DRUM	

#	△ REF No.	PART No.	PART NAME, DESCRIPTION

DIGITAL BOARD ASSEMBLY <50>			
PW1		LPA10125-03D	DIGITAL BOARD ASSY
IC1		M32120FC-109WG	IC(MCU)
IC2		S-80919ANMP-W	IC
IC4		AT45DB011-SC-X	IC
IC5		AT45DB011-XC-X	IC
IC6		SN74HCT08APW	IC
IC7		SN74HCT08APW	IC
IC8		SN74HCT08APW	IC
IC9		SN74LV08APW	IC
IC10		SN74AHCT1G125	IC(DIGITAL)
IC201		JCP8052	IC
IC202		K4S161622D-TC80	IC
		or HY57V161610DTC8	IC
IC203		NAX0373-001X	CXO
IC204		TC7SH08FU	IC(DIGITAL)
		or SN74AHC1G08K	IC
IC205		TC7SHU04FU	IC(DIGITAL)
IC206		BA10358F-XE	IC
IC207		SN74LVCU04APW	IC(DIGITAL)
IC208		SN74LVCU04APW	IC(DIGITAL)
IC209		SN74LVCU04APW	IC(DIGITAL)
IC210		TC7SHU04FU	IC(DIGITAL)
IC213		TC7SH04FU	IC(DIGITAL)
IC214		TC7SH08FU	IC(DIGITAL)
		or SN74AHC1G08K	IC
IC402		TLC2932	IC
IC404		TLC2932	IC
IC405		SN74LV74APW	IC
IC406		TC7SH04FU	IC(DIGITAL)
		or SN74AHC1G04K	IC
IC601		DVXCEL-BA1	IC(DIGITAL)
IC602		K4S161622D-TC80	IC
		or HY57V161610DTC8	IC
IC603		K4S161622D-TC80	IC
		or HY57V161610DTC8	IC
IC604		K4S161622D-TC80	IC
		or HY57V161610DTC8	IC
IC605		K4S161622D-TC80	IC
		or HY57V161610DTC8	IC
IC606		TC7SHU04FU	IC(DIGITAL)
IC607		TC7SH04FU	IC(DIGITAL)
		or SN74AHC1G04K	IC
IC802		LC74731W-9807	IC(MICRO C ROM)
IC803		LE28FV2001ATS15	IC
IC808		SI-3025LS-X	IC
		or SI-3025LSA-X	IC
IC810		SN74LV08APW	IC
IC814		SI-3012LU-X	IC
IC1001		JCP8037-2	IC
IC1002		K4S643232C-TC80	IC
		or K4S643232C-TC70	IC
		or KM432S2030CT-G7	IC
IC1003		K4S643232C-TC80	IC
		or K4S643232C-TC70	IC
		or KM432S2030CT-G7	IC
IC1004		TC7SZ04FU	IC
IC1201		JCP8044	IC

#	△ REF No.	PART No.	PART NAME, DESCRIPTION
IC1202		TC7SH04FU	IC(DIGITAL)
IC1401		JCP8034-2	IC
IC1403		SST39VF160-9CEK	IC(MICRO C ROM)
		or MBM29LV160TE70N	IC
		or SST39VF160-7CEK	IC(MICRO C ROM)
IC1404		MK2703	IC
IC1601		UPD61003GC-A01	IC
IC1701		UPD61002GC-A01	IC(DIGITAL)
IC1801		AK4522VF	IC
IC1802		BA15218F-XE	IC
IC1803		BA15218F-XE	IC
IC1804		GP1F32T	OPT
Q1		DTC144EU	TRANSISTOR
		or PDTC144EU	TRANSISTOR
		or RN1304	TRANSISTOR
		or UN5213	TRANSISTOR
Q401		DTC114EU	TRANSISTOR
		or PDTC114EU	TRANSISTOR
		or RN1302	TRANSISTOR
		or UN5211	TRANSISTOR
Q402		UMT2N	PAIR TRANSISTOR
Q403		UMX2N	PAIR TRANSISTOR
Q404		UMT2N	PAIR TRANSISTOR
Q405		2SC3930/C/-X	TRANSISTOR
Q406		2SC4081/QRS/-X	TRANSISTOR
		or 2PC4081/R/-X	TRANSISTOR
		or 2SD1819A/QRS/-X	TRANSISTOR
Q407		2SC3930/C/-X	TRANSISTOR
Q408		2SA1532/C/-X	TRANSISTOR
Q409		2SC4670	TRANSISTOR
		or 2SC5632	TRANSISTOR
Q410		UMT2N	PAIR TRANSISTOR
Q411		UMX2N	PAIR TRANSISTOR
Q412		UMT2N	PAIR TRANSISTOR
Q413		2SC3930/C/-X	TRANSISTOR
Q414		2SC4081/QRS/-X	TRANSISTOR
		or 2SD1819A/QRS/-X	TRANSISTOR
		or 2PC4081/R/-X	TRANSISTOR
Q415		2SC3930/C/-X	TRANSISTOR
Q416		2SA1532/C/-X	TRANSISTOR
Q417		2SC4670	TRANSISTOR
		or 2SC5632	TRANSISTOR
Q418		2SC4081/QRS/-X	TRANSISTOR
		or 2PC4081/R/-X	TRANSISTOR
		or 2SD1819A/QRS/-X	TRANSISTOR
Q419		DTC114EU	TRANSISTOR
		or PDTC114EU	TRANSISTOR
		or RN1302	TRANSISTOR
		or UN5211	TRANSISTOR
Q420		2SC4081/QRS/-X	TRANSISTOR
		or 2SD1819A/QRS/-X	TRANSISTOR
		or 2PC4081/R/-X	TRANSISTOR
Q421		2SA1532/C/-X	TRANSISTOR
Q422		2SC3930/C/-X	TRANSISTOR
Q423		2SC4081/QRS/-X	TRANSISTOR
		or 2PC4081/R/-X	TRANSISTOR
		or 2SD1819A/QRS/-X	TRANSISTOR
Q424		2SC4081/QRS/-X	TRANSISTOR
		or 2SD1819A/QRS/-X	TRANSISTOR
		or 2PC4081/R/-X	TRANSISTOR
Q425		2SA1532/C/-X	TRANSISTOR

#	△ REF No.	PART No.	PART NAME, DESCRIPTION	#	△ REF No.	PART No.	PART NAME, DESCRIPTION
		or 2PC4081/R/-X	TRANSISTOR	R47		NRSA63J-101X	MG RESISTOR 100Ω,1/16W
		or 2SD1819A/QRS/-X	TRANSISTOR	R49		NRSA63J-0R0X	MG RESISTOR 0Ω,1/16W
Q1010		2SA1576A/QR/-X	TRANSISTOR	R51		NRSA63J-102X	MG RESISTOR 1kΩ,1/16W
		or 2PA1576/R/-X	TRANSISTOR	R52		NRSA63J-0R0X	MG RESISTOR 0Ω,1/16W
Q1011		2SC4081/QRS/-X	TRANSISTOR	R53		NRSA63J-0R0X	MG RESISTOR 0Ω,1/16W
		or 2SB1218A/QR/-X	TRANSISTOR	R54		NRSA63J-102X	MG RESISTOR 1kΩ,1/16W
		or 2PC4081/R/-X	TRANSISTOR	R55		NRSA63J-103X	MG RESISTOR 10kΩ,1/16W
		or 2SD1819A/QRS/-X	TRANSISTOR	R56		NRSA63J-102X	MG RESISTOR 1kΩ,1/16W
D201		UDZ2.2B	ZENER DIODE	R57		NRSA63J-102X	MG RESISTOR 1kΩ,1/16W
D202		UDZ3.0B	ZENER DIODE	R58		NRSA63J-102X	MG RESISTOR 1kΩ,1/16W
D203		MA304	VARI CAP DIODE	R59		NRSA63J-102X	MG RESISTOR 1kΩ,1/16W
D802		1SS355	DIODE	R60		NRSA63J-102X	MG RESISTOR 1kΩ,1/16W
D803		1SS355	DIODE	R61		NRSA63J-103X	MG RESISTOR 10kΩ,1/16W
D804		1SS355	DIODE	R62		NRSA63J-103X	MG RESISTOR 10kΩ,1/16W
D805		1SS355	DIODE	R65		NRSA63J-0R0X	MG RESISTOR 0Ω,1/16W
D806		1SS355	DIODE	R66		NRSA63J-0R0X	MG RESISTOR 0Ω,1/16W
D1001		UDZ5.1B	ZENER DIODE	R69		NRSA63J-0R0X	MG RESISTOR 0Ω,1/16W
R1		NRSA63J-0R0X	MG RESISTOR 0Ω,1/16W	R70		NRSA63J-0R0X	MG RESISTOR 0Ω,1/16W
R2		NRSA63J-0R0X	MG RESISTOR 0Ω,1/16W	R71		NRSA63J-221X	MG RESISTOR 220Ω,1/16W
R3		NRSA63J-0R0X	MG RESISTOR 0Ω,1/16W	R72		NRSA63J-221X	MG RESISTOR 220Ω,1/16W
R4		NRSA63J-103X	MG RESISTOR 10kΩ,1/16W	R73		NRSA63J-221X	MG RESISTOR 220Ω,1/16W
R5		NRSA63J-103X	MG RESISTOR 10kΩ,1/16W	R74		NRSA63J-0R0X	MG RESISTOR 0Ω,1/16W
R6		NRSA63J-103X	MG RESISTOR 10kΩ,1/16W	R75		NRSA63J-221X	MG RESISTOR 220Ω,1/16W
R7		NRSA63J-0R0X	MG RESISTOR 0Ω,1/16W	R76		NRSA63J-0R0X	MG RESISTOR 0Ω,1/16W
R8		NRSA63J-0R0X	MG RESISTOR 0Ω,1/16W	R77		NRSA63J-471X	MG RESISTOR 470Ω,1/16W
R9		NRSA63J-102X	MG RESISTOR 1kΩ,1/16W	R78		NRSA63J-471X	MG RESISTOR 470Ω,1/16W
R10		NRSA63J-0R0X	MG RESISTOR 0Ω,1/16W	R79		NRSA63J-221X	MG RESISTOR 220Ω,1/16W
R11		NRSA63J-100X	MG RESISTOR 10Ω,1/16W	R80		NRSA63J-221X	MG RESISTOR 220Ω,1/16W
R12		NRSA63J-0R0X	MG RESISTOR 0Ω,1/16W	R81		NRSA63J-0R0X	MG RESISTOR 0Ω,1/16W
R13		NRSA63J-0R0X	MG RESISTOR 0Ω,1/16W	R82		NRSA63J-221X	MG RESISTOR 220Ω,1/16W
R14		NRSA63J-0R0X	MG RESISTOR 0Ω,1/16W	R83		NRSA63J-221X	MG RESISTOR 220Ω,1/16W
R15		NRSA63J-0R0X	MG RESISTOR 0Ω,1/16W	R84		NRSA63J-221X	MG RESISTOR 220Ω,1/16W
R16		NRSA63J-103X	MG RESISTOR 10kΩ,1/16W	R85		NRSA63J-0R0X	MG RESISTOR 0Ω,1/16W
R17		NRSA63J-0R0X	MG RESISTOR 0Ω,1/16W	R86		NRSA63J-0R0X	MG RESISTOR 0Ω,1/16W
R18		NRSA63J-221X	MG RESISTOR 220Ω,1/16W	R87		NRSA63J-0R0X	MG RESISTOR 0Ω,1/16W
R19		NRSA63J-0R0X	MG RESISTOR 0Ω,1/16W	R88		NRSA63J-221X	MG RESISTOR 220Ω,1/16W
R20		NRSA63J-0R0X	MG RESISTOR 0Ω,1/16W	R89		NRSA63J-0R0X	MG RESISTOR 0Ω,1/16W
R21		NRSA63J-0R0X	MG RESISTOR 0Ω,1/16W	R90		NRSA63J-221X	MG RESISTOR 220Ω,1/16W
R22		NRSA63J-0R0X	MG RESISTOR 0Ω,1/16W	R91		NRSA63J-221X	MG RESISTOR 220Ω,1/16W
R23		NRSA63J-103X	MG RESISTOR 10kΩ,1/16W	R92		NRSA63J-221X	MG RESISTOR 220Ω,1/16W
R24		NRSA63J-331X	MG RESISTOR 330Ω,1/16W	R93		NRSA63J-0R0X	MG RESISTOR 0Ω,1/16W
R25		NRSA63J-105X	MG RESISTOR 1MΩ,1/16W	R94		NRSA63J-0R0X	MG RESISTOR 0Ω,1/16W
R26		NRSA63J-221X	MG RESISTOR 220Ω,1/16W	R95		NRSA63J-221X	MG RESISTOR 220Ω,1/16W
R27		NRSA63J-103X	MG RESISTOR 10kΩ,1/16W	R96		NRSA63J-0R0X	MG RESISTOR 0Ω,1/16W
R28		NRSA63J-103X	MG RESISTOR 10kΩ,1/16W	R97		NRSA63J-0R0X	MG RESISTOR 0Ω,1/16W
R29		NRSA63J-103X	MG RESISTOR 10kΩ,1/16W	R98		NRSA63J-0R0X	MG RESISTOR 0Ω,1/16W
R30		NRSA63J-103X	MG RESISTOR 10kΩ,1/16W	R99		NRSA63J-471X	MG RESISTOR 470Ω,1/16W
R31		NRSA63J-103X	MG RESISTOR 10kΩ,1/16W	R100		NRSA63J-471X	MG RESISTOR 470Ω,1/16W
R32		NRSA63J-103X	MG RESISTOR 10kΩ,1/16W	R101		NRSA63J-471X	MG RESISTOR 470Ω,1/16W
R33		NRSA63J-0R0X	MG RESISTOR 0Ω,1/16W	R102		NRSA63J-471X	MG RESISTOR 470Ω,1/16W
R34		NRSA63J-0R0X	MG RESISTOR 0Ω,1/16W	R103		NRSA63J-0R0X	MG RESISTOR 0Ω,1/16W
R35		NRSA63J-0R0X	MG RESISTOR 0Ω,1/16W	R104		NRSA63J-0R0X	MG RESISTOR 0Ω,1/16W
R36		NRSA63J-0R0X	MG RESISTOR 0Ω,1/16W	R105		NRSA63J-0R0X	MG RESISTOR 0Ω,1/16W
R37		NRSA63J-0R0X	MG RESISTOR 0Ω,1/16W	R109		NRSA63J-0R0X	MG RESISTOR 0Ω,1/16W
R38		NRSA63J-0R0X	MG RESISTOR 0Ω,1/16W	R110		NRSA63J-103X	MG RESISTOR 10kΩ,1/16W
R39		NRSA63J-0R0X	MG RESISTOR 0Ω,1/16W	R112		NRSA63J-0R0X	MG RESISTOR 0Ω,1/16W
R40		NRSA63J-0R0X	MG RESISTOR 0Ω,1/16W	R113		NRSA63J-0R0X	MG RESISTOR 0Ω,1/16W
R41		NRSA63J-0R0X	MG RESISTOR 0Ω,1/16W	R115		NRSA63J-0R0X	MG RESISTOR 0Ω,1/16W
R42		NRSA63J-0R0X	MG RESISTOR 0Ω,1/16W	R116		NRSA63J-103X	MG RESISTOR 10kΩ,1/16W
R45		NRSA63J-103X	MG RESISTOR 10kΩ,1/16W	R117		NRSA63J-103X	MG RESISTOR 10kΩ,1/16W
R46		NRSA63J-0R0X	MG RESISTOR 0Ω,1/16W	R118		NRSA63J-472X	MG RESISTOR 4.7kΩ,1/16W

#	△	REF No.	PART No.	PART NAME, DESCRIPTION	#	△	REF No.	PART No.	PART NAME, DESCRIPTION	
R201			NRSA63J-0R0X	MG RESISTOR	0Ω,1/16W	R404		NRSA63J-101X	MG RESISTOR	100Ω,1/16W
R202			NRSA63J-0R0X	MG RESISTOR	0Ω,1/16W	R405		NRSA63J-103X	MG RESISTOR	10kΩ,1/16W
R203			NRSA63J-220X	MG RESISTOR	22Ω,1/16W	R406		NRSA63J-101X	MG RESISTOR	100Ω,1/16W
R204			NRVA63D-392X	CMF RESISTOR	3.9kΩ,1/16W	R407		NRSA63J-471X	MG RESISTOR	470Ω,1/16W
R205			NRVA63D-682X	CMF RESISTOR	6.8kΩ,1/16W	R408		NRSA63J-222X	MG RESISTOR	2.2kΩ,1/16W
R206			NRSA63J-331X	MG RESISTOR	330Ω,1/16W	R409		NRSA63J-471X	MG RESISTOR	470Ω,1/16W
R208			NRVA63D-822X	CMF RESISTOR	8.2kΩ,1/16W	R410		NRSA63J-152X	MG RESISTOR	1.5kΩ,1/16W
R209			NRSA63J-220X	MG RESISTOR	22Ω,1/16W	R411		NRSA63J-152X	MG RESISTOR	1.5kΩ,1/16W
R211			NRSA63J-470X	MG RESISTOR	47Ω,1/16W	R412		NRSA63J-0R0X	MG RESISTOR	0Ω,1/16W
R212			NRSA63J-103X	MG RESISTOR	10kΩ,1/16W	R413		NRSA63J-0R0X	MG RESISTOR	0Ω,1/16W
R213			NRSA63J-103X	MG RESISTOR	10kΩ,1/16W	R414		NRSA63J-103X	MG RESISTOR	10kΩ,1/16W
R214			NRSA63J-393X	MG RESISTOR	39kΩ,1/16W	R415		NRSA63J-103X	MG RESISTOR	10kΩ,1/16W
R215			NRSA63J-473X	MG RESISTOR	47kΩ,1/16W	R420		NRSA63J-392X	MG RESISTOR	3.9kΩ,1/16W
R216			NRSA63J-821X	MG RESISTOR	820Ω,1/16W	R421		NRSA63J-103X	MG RESISTOR	10kΩ,1/16W
R217			NRSA63J-104X	MG RESISTOR	100kΩ,1/16W	R422		NRSA63J-472X	MG RESISTOR	4.7kΩ,1/16W
R218			NRSA63J-470X	MG RESISTOR	47Ω,1/16W	R423		NRSA63J-471X	MG RESISTOR	470Ω,1/16W
R219			NRSA63J-105X	MG RESISTOR	1MΩ,1/16W	R424		NRSA63J-103X	MG RESISTOR	10kΩ,1/16W
R220			NRSA63J-473X	MG RESISTOR	47kΩ,1/16W	R425		NRSA63J-122X	MG RESISTOR	1.2kΩ,1/16W
R221			NRSA63J-473X	MG RESISTOR	47kΩ,1/16W	R426		NRSA63J-681X	MG RESISTOR	680Ω,1/16W
R222			NRSA63J-103X	MG RESISTOR	10kΩ,1/16W	R427		NRSA63J-681X	MG RESISTOR	680Ω,1/16W
R224			NRSA63J-102X	MG RESISTOR	1kΩ,1/16W	R428		NRSA63J-151X	MG RESISTOR	150Ω,1/16W
R226			NRSA63J-0R0X	MG RESISTOR	0Ω,1/16W	R429		NRSA63J-471X	MG RESISTOR	470Ω,1/16W
R227			NRVA63D-103X	CMF RESISTOR	10kΩ,1/16W	R430		NRSA63J-102X	MG RESISTOR	1kΩ,1/16W
R228			NRSA63J-512X	MG RESISTOR	5.1kΩ,1/16W	R431		NRSA63J-101X	MG RESISTOR	100Ω,1/16W
R229			NRSA63J-560X	MG RESISTOR	56Ω,1/16W	R432		NRSA63J-750X	MG RESISTOR	75Ω,1/16W
R230			NRSA63J-560X	MG RESISTOR	56Ω,1/16W	R435		NRSA63J-222X	MG RESISTOR	2.2kΩ,1/16W
R231			NRSA63J-560X	MG RESISTOR	56Ω,1/16W	R436		NRSA63J-101X	MG RESISTOR	100Ω,1/16W
R232			NRSA63J-560X	MG RESISTOR	56Ω,1/16W	R437		NRSA63J-103X	MG RESISTOR	10kΩ,1/16W
R233			NRSA63J-512X	MG RESISTOR	5.1kΩ,1/16W	R438		NRSA63J-101X	MG RESISTOR	100Ω,1/16W
R234			NRSA63J-560X	MG RESISTOR	56Ω,1/16W	R439		NRSA63J-471X	MG RESISTOR	470Ω,1/16W
R235			NRSA63J-560X	MG RESISTOR	56Ω,1/16W	R440		NRSA63J-222X	MG RESISTOR	2.2kΩ,1/16W
R236			NRSA63J-560X	MG RESISTOR	56Ω,1/16W	R441		NRSA63J-471X	MG RESISTOR	470Ω,1/16W
R237			NRSA63J-560X	MG RESISTOR	56Ω,1/16W	R442		NRSA63J-152X	MG RESISTOR	1.5kΩ,1/16W
R238			NRSA63J-103X	MG RESISTOR	10kΩ,1/16W	R443		NRSA63J-152X	MG RESISTOR	1.5kΩ,1/16W
R240			NRSA63J-103X	MG RESISTOR	10kΩ,1/16W	R444		NRSA63J-0R0X	MG RESISTOR	0Ω,1/16W
R241			NRSA63J-103X	MG RESISTOR	10kΩ,1/16W	R445		NRSA63J-0R0X	MG RESISTOR	0Ω,1/16W
R242			NRSA63J-103X	MG RESISTOR	10kΩ,1/16W	R446		NRSA63J-103X	MG RESISTOR	10kΩ,1/16W
R245			NRSA63J-103X	MG RESISTOR	10kΩ,1/16W	R447		NRSA63J-103X	MG RESISTOR	10kΩ,1/16W
R246			NRSA63J-103X	MG RESISTOR	10kΩ,1/16W	R452		NRSA63J-392X	MG RESISTOR	3.9kΩ,1/16W
R250			NRSA63J-394X	MG RESISTOR	390kΩ,1/16W	R453		NRSA63J-103X	MG RESISTOR	10kΩ,1/16W
R251			NRSA63J-0R0X	MG RESISTOR	0Ω,1/16W	R454		NRSA63J-472X	MG RESISTOR	4.7kΩ,1/16W
R253			NRSA63J-0R0X	MG RESISTOR	0Ω,1/16W	R455		NRSA63J-471X	MG RESISTOR	470Ω,1/16W
R254			NRSA63J-103X	MG RESISTOR	10kΩ,1/16W	R456		NRSA63J-103X	MG RESISTOR	10kΩ,1/16W
R255			NRSA63J-103X	MG RESISTOR	10kΩ,1/16W	R457		NRSA63J-122X	MG RESISTOR	1.2kΩ,1/16W
R256			NRSA63J-103X	MG RESISTOR	10kΩ,1/16W	R458		NRSA63J-681X	MG RESISTOR	680Ω,1/16W
R259			NRSA63J-103X	MG RESISTOR	10kΩ,1/16W	R459		NRSA63J-681X	MG RESISTOR	680Ω,1/16W
R261			NRSA63J-221X	MG RESISTOR	220Ω,1/16W	R460		NRSA63J-151X	MG RESISTOR	150Ω,1/16W
R262			NRVA63D-151X	CMF RESISTOR	150Ω,1/16W	R461		NRSA63J-471X	MG RESISTOR	470Ω,1/16W
R263			NRSA63J-101X	MG RESISTOR	100Ω,1/16W	R462		NRSA63J-102X	MG RESISTOR	1kΩ,1/16W
R264			NRVA63D-151X	CMF RESISTOR	150Ω,1/16W	R463		NRSA63J-101X	MG RESISTOR	100Ω,1/16W
R265			NRVA63D-151X	CMF RESISTOR	150Ω,1/16W	R464		NRSA63J-750X	MG RESISTOR	75Ω,1/16W
R266			NRSA63J-221X	MG RESISTOR	220Ω,1/16W	R465		NRSA63J-391X	MG RESISTOR	390Ω,1/16W
R267			NRSA63J-0R0X	MG RESISTOR	0Ω,1/16W	R466		NRSA63J-153X	MG RESISTOR	15kΩ,1/16W
R268			NRSA63J-105X	MG RESISTOR	1MΩ,1/16W	R467		NRSA63J-0R0X	MG RESISTOR	0Ω,1/16W
R272			NRSA63J-104X	MG RESISTOR	100kΩ,1/16W	R468		NRSA63J-563X	MG RESISTOR	56kΩ,1/16W
R273			NRSA63J-104X	MG RESISTOR	100kΩ,1/16W	R469		NRSA63J-331X	MG RESISTOR	330Ω,1/16W
R274			NRSA63J-221X	MG RESISTOR	220Ω,1/16W	R470		NRSA63J-272X	MG RESISTOR	2.7kΩ,1/16W
R275			NRSA63J-391X	MG RESISTOR	390Ω,1/16W	R471		NRSA63J-331X	MG RESISTOR	330Ω,1/16W
R276			NRSA63J-221X	MG RESISTOR	220Ω,1/16W	R472		NRSA63J-681X	MG RESISTOR	680Ω,1/16W
R277			NRSA63J-391X	MG RESISTOR	390Ω,1/16W	R473		NRSA63J-101X	MG RESISTOR	100Ω,1/16W
R403			NRSA63J-222X	MG RESISTOR	2.2kΩ,1/16W	R474		NRSA63J-101X	MG RESISTOR	100Ω,1/16W

#	△ REF No.	PART No.	PART NAME, DESCRIPTION	#	△ REF No.	PART No.	PART NAME, DESCRIPTION
R475		NRSA63J-562X	MG RESISTOR 5.6kΩ,1/16W	R647		NRSA63J-750X	MG RESISTOR 75Ω,1/16W
R476		NRSA63J-102X	MG RESISTOR 1kΩ,1/16W	R648		NRSA63J-750X	MG RESISTOR 75Ω,1/16W
R477		NRSA63J-471X	MG RESISTOR 470Ω,1/16W	R649		NRSA63J-750X	MG RESISTOR 75Ω,1/16W
R478		NRSA63J-333X	MG RESISTOR 33kΩ,1/16W	R650		NRSA63J-750X	MG RESISTOR 75Ω,1/16W
R479		NRSA63J-562X	MG RESISTOR 5.6kΩ,1/16W	R651		NRSA63J-750X	MG RESISTOR 75Ω,1/16W
R480		NRSA63J-750X	MG RESISTOR 75Ω,1/16W	R652		NRSA63J-750X	MG RESISTOR 75Ω,1/16W
R481		NRSA63J-391X	MG RESISTOR 390Ω,1/16W	R653		NRSA63J-750X	MG RESISTOR 75Ω,1/16W
R482		NRSA63J-153X	MG RESISTOR 15kΩ,1/16W	R654		NRSA63J-750X	MG RESISTOR 75Ω,1/16W
R483		NRSA63J-0R0X	MG RESISTOR 0Ω,1/16W	R657		NRSA63J-103X	MG RESISTOR 10kΩ,1/16W
R484		NRSA63J-563X	MG RESISTOR 56kΩ,1/16W	R803		NRSA63J-102X	MG RESISTOR 1kΩ,1/16W
R485		NRSA63J-331X	MG RESISTOR 330Ω,1/16W	R804		NRSA63J-0R0X	MG RESISTOR 0Ω,1/16W
R486		NRSA63J-272X	MG RESISTOR 2.7kΩ,1/16W	R806		NRSA63J-102X	MG RESISTOR 1kΩ,1/16W
R487		NRSA63J-331X	MG RESISTOR 330Ω,1/16W	R807		NRSA63J-0R0X	MG RESISTOR 0Ω,1/16W
R488		NRSA63J-681X	MG RESISTOR 680Ω,1/16W	R808		NRSA63J-151X	MG RESISTOR 150Ω,1/16W
R489		NRSA63J-101X	MG RESISTOR 100Ω,1/16W	R809		NRSA63J-301X	MG RESISTOR 300Ω,1/16W
R490		NRSA63J-101X	MG RESISTOR 100Ω,1/16W	R810		NRSA63J-122X	MG RESISTOR 1.2kΩ,1/16W
R491		NRSA63J-562X	MG RESISTOR 5.6kΩ,1/16W	R811		NRSA63J-102X	MG RESISTOR 1kΩ,1/16W
R492		NRSA63J-102X	MG RESISTOR 1kΩ,1/16W	R812		NRSA63J-471X	MG RESISTOR 470Ω,1/16W
R493		NRSA63J-471X	MG RESISTOR 470Ω,1/16W	R813		NRSA63J-681X	MG RESISTOR 680Ω,1/16W
R494		NRSA63J-333X	MG RESISTOR 33kΩ,1/16W	R814		NRSA63J-821X	MG RESISTOR 820Ω,1/16W
R495		NRSA63J-562X	MG RESISTOR 5.6kΩ,1/16W	R815		NRSA63J-681X	MG RESISTOR 680Ω,1/16W
R496		NRSA63J-750X	MG RESISTOR 75Ω,1/16W	R816		NRSA63J-221X	MG RESISTOR 220Ω,1/16W
R497		NRSA63J-0R0X	MG RESISTOR 0Ω,1/16W	R819		NRSA63J-0R0X	MG RESISTOR 0Ω,1/16W
R601		NRSA63J-0R0X	MG RESISTOR 0Ω,1/16W	R820		NRSA63J-151X	MG RESISTOR 150Ω,1/16W
R603		NRSA63J-105X	MG RESISTOR 1MΩ,1/16W	R821		NRSA63J-331X	MG RESISTOR 330Ω,1/16W
R604		NRSA63J-470X	MG RESISTOR 47Ω,1/16W	R822		NRSA63J-122X	MG RESISTOR 1.2kΩ,1/16W
R605		NRSA63J-0R0X	MG RESISTOR 0Ω,1/16W	R823		NRSA63J-102X	MG RESISTOR 1kΩ,1/16W
R607		NRSA63J-0R0X	MG RESISTOR 0Ω,1/16W	R824		NRSA63J-471X	MG RESISTOR 470Ω,1/16W
R608		NRSA63J-750X	MG RESISTOR 75Ω,1/16W	R825		NRSA63J-101X	MG RESISTOR 100Ω,1/16W
R609		NRSA63J-750X	MG RESISTOR 75Ω,1/16W	R826		NRSA63J-821X	MG RESISTOR 820Ω,1/16W
R610		NRSA63J-750X	MG RESISTOR 75Ω,1/16W	R827		NRSA63J-681X	MG RESISTOR 680Ω,1/16W
R612		NRSA63J-472X	MG RESISTOR 4.7kΩ,1/16W	R828		NRSA63J-221X	MG RESISTOR 220Ω,1/16W
R613		NRSA63J-203X	MG RESISTOR 20kΩ,1/16W	R831		NRSA63J-0R0X	MG RESISTOR 0Ω,1/16W
R614		NRSA63J-203X	MG RESISTOR 20kΩ,1/16W	R832		NRSA63J-151X	MG RESISTOR 150Ω,1/16W
R616		NRSA63J-0R0X	MG RESISTOR 0Ω,1/16W	R833		NRSA63J-331X	MG RESISTOR 330Ω,1/16W
R618		NRSA63J-0R0X	MG RESISTOR 0Ω,1/16W	R834		NRSA63J-122X	MG RESISTOR 1.2kΩ,1/16W
R619		NRSA63J-472X	MG RESISTOR 4.7kΩ,1/16W	R835		NRSA63J-102X	MG RESISTOR 1kΩ,1/16W
R620		NRSA63J-472X	MG RESISTOR 4.7kΩ,1/16W	R836		NRSA63J-471X	MG RESISTOR 470Ω,1/16W
R622		NRSA63J-0R0X	MG RESISTOR 0Ω,1/16W	R837		NRSA63J-101X	MG RESISTOR 100Ω,1/16W
R623		NRSA63J-472X	MG RESISTOR 4.7kΩ,1/16W	R838		NRSA63J-821X	MG RESISTOR 820Ω,1/16W
R625		NRSA63J-472X	MG RESISTOR 4.7kΩ,1/16W	R839		NRSA63J-681X	MG RESISTOR 680Ω,1/16W
R626		NRSA63J-472X	MG RESISTOR 4.7kΩ,1/16W	R840		NRSA63J-221X	MG RESISTOR 220Ω,1/16W
R628		NRSA63J-472X	MG RESISTOR 4.7kΩ,1/16W	R843		NRSA63J-0R0X	MG RESISTOR 0Ω,1/16W
R629		NRSA63J-472X	MG RESISTOR 4.7kΩ,1/16W	R844		NRSA63J-331X	MG RESISTOR 330Ω,1/16W
R630		NRSA63J-472X	MG RESISTOR 4.7kΩ,1/16W	R845		NRSA63J-331X	MG RESISTOR 330Ω,1/16W
R631		NRSA63J-472X	MG RESISTOR 4.7kΩ,1/16W	R846		NRSA63J-102X	MG RESISTOR 1kΩ,1/16W
R632		NRSA63J-0R0X	MG RESISTOR 0Ω,1/16W	R847		NRSA63J-102X	MG RESISTOR 1kΩ,1/16W
R633		NRSA63J-102X	MG RESISTOR 1kΩ,1/16W	R848		NRSA63J-391X	MG RESISTOR 390Ω,1/16W
R634		NRSA63J-750X	MG RESISTOR 75Ω,1/16W	R849		NRSA63J-101X	MG RESISTOR 100Ω,1/16W
R635		NRSA63J-102X	MG RESISTOR 1kΩ,1/16W	R850		NRSA63J-102X	MG RESISTOR 1kΩ,1/16W
R636		NRSA63J-103X	MG RESISTOR 10kΩ,1/16W	R851		NRSA63J-681X	MG RESISTOR 680Ω,1/16W
R637		NRSA63J-750X	MG RESISTOR 75Ω,1/16W	R852		NRSA63J-221X	MG RESISTOR 220Ω,1/16W
R638		NRSA63J-750X	MG RESISTOR 75Ω,1/16W	R855		NRSA63J-0R0X	MG RESISTOR 0Ω,1/16W
R639		NRSA63J-750X	MG RESISTOR 75Ω,1/16W	R856		NRSA63J-331X	MG RESISTOR 330Ω,1/16W
R640		NRSA63J-750X	MG RESISTOR 75Ω,1/16W	R857		NRSA63J-331X	MG RESISTOR 330Ω,1/16W
R641		NRSA63J-750X	MG RESISTOR 75Ω,1/16W	R858		NRSA63J-102X	MG RESISTOR 1kΩ,1/16W
R642		NRSA63J-750X	MG RESISTOR 75Ω,1/16W	R859		NRSA63J-102X	MG RESISTOR 1kΩ,1/16W
R643		NRSA63J-750X	MG RESISTOR 75Ω,1/16W	R860		NRSA63J-391X	MG RESISTOR 390Ω,1/16W
R644		NRSA63J-750X	MG RESISTOR 75Ω,1/16W	R861		NRSA63J-122X	MG RESISTOR 1.2kΩ,1/16W
R645		NRSA63J-750X	MG RESISTOR 75Ω,1/16W	R862		NRSA63J-102X	MG RESISTOR 1kΩ,1/16W
R646		NRSA63J-750X	MG RESISTOR 75Ω,1/16W	R863		NRSA63J-681X	MG RESISTOR 680Ω,1/16W

#	△	REF No.	PART No.	PART NAME, DESCRIPTION	#	△	REF No.	PART No.	PART NAME, DESCRIPTION
R864			NRSA63J-221X	MG RESISTOR	R1012			NRSA63J-0R0X	MG RESISTOR
R867			NRSA63J-103X	MG RESISTOR	R1013			NRSA63J-330X	MG RESISTOR
R868			NRSA63J-153X	MG RESISTOR	R1015			NRSA63J-332X	MG RESISTOR
R869			NRSA63J-102X	MG RESISTOR	R1016			NRSA63J-122X	MG RESISTOR
R870			NRSA63J-222X	MG RESISTOR	R1017			NRSA63J-101X	MG RESISTOR
R871			NRSA63J-221X	MG RESISTOR	R1018			NRSA63J-0R0X	MG RESISTOR
R872			NRSA63J-222X	MG RESISTOR	R1019			NRSA63J-0R0X	MG RESISTOR
R873			NRSA63J-102X	MG RESISTOR	R1020			NRSA63J-330X	MG RESISTOR
R874			NRSA63J-221X	MG RESISTOR	R1021			NRVA63D-101X	CMF RESISTOR
R875			NRSA63J-681X	MG RESISTOR	R1022			NRVA63D-750X	CMF RESISTOR
R877			NRSA63J-471X	MG RESISTOR	R1023			NRVA63D-750X	CMF RESISTOR
R878			NRSA63J-0R0X	MG RESISTOR	R1024			NRVA63D-201X	CMF RESISTOR
R879			NRSA63J-223X	MG RESISTOR	R1025			NRVA63D-151X	CMF RESISTOR
R880			NRSA63J-273X	MG RESISTOR	R1026			NRSA63J-152X	MG RESISTOR
R881			NRSA63J-102X	MG RESISTOR	R1027			NRVA63D-822X	CMF RESISTOR
R882			NRSA63J-221X	MG RESISTOR	R1028			NRVA63D-222X	CMF RESISTOR
R883			NRSA63J-681X	MG RESISTOR	R1029			NRSA63J-561X	MG RESISTOR
R885			NRSA63J-272X	MG RESISTOR	R1030			NRSA63J-561X	MG RESISTOR
R886			NRSA63J-102X	MG RESISTOR	R1031			NRSA63J-272X	MG RESISTOR
R890			NDC31HJ-270X	CAPACITOR	R1032			NRSA63J-272X	MG RESISTOR
R891			NRSA63J-681X	MG RESISTOR	R1033			NRSA63J-272X	MG RESISTOR
R892			NRSA63J-0R0X	MG RESISTOR	R1034			NRSA63J-272X	MG RESISTOR
R893			NRSA63J-151X	MG RESISTOR	R1035			NRSA63J-272X	MG RESISTOR
R894			NRSA63J-103X	MG RESISTOR	R1036			NRSA63J-182X	MG RESISTOR
R895			NRSA63J-471X	MG RESISTOR	R1037			NRSA63J-471X	MG RESISTOR
R897			NRSA63J-0R0X	MG RESISTOR	R1039			NRSA63J-103X	MG RESISTOR
R901			NRSA63J-0R0X	MG RESISTOR	R1041			NRSA63J-101X	MG RESISTOR
R903			NRSA63J-103X	MG RESISTOR	R1042			NRSA63J-101X	MG RESISTOR
R904			NRSA63J-0R0X	MG RESISTOR	R1060			NRSA63J-0R0X	MG RESISTOR
R905			NRSA63J-103X	MG RESISTOR	R1061			NRSA63D-392X	MG RESISTOR
R906			NRSA63J-103X	MG RESISTOR	R1062			NRSA63D-392X	MG RESISTOR
R907			NRSA63J-103X	MG RESISTOR	R1063			NRSA63J-102X	MG RESISTOR
R908			NRSA63J-103X	MG RESISTOR	R1064			NRSA63J-102X	MG RESISTOR
R909			NRSA63J-103X	MG RESISTOR	R1065			NRSA63J-102X	MG RESISTOR
R910			NRSA63J-0R0X	MG RESISTOR	R1066			NRSA63J-103X	MG RESISTOR
R911			NRSA63J-0R0X	MG RESISTOR	R1067			NRSA63J-103X	MG RESISTOR
R927			NRSA63J-103X	MG RESISTOR	R1068			NRSA63J-0R0X	MG RESISTOR
R928			NRSA63J-103X	MG RESISTOR	R1069			NRSA63J-0R0X	MG RESISTOR
R930			NRSA63J-103X	MG RESISTOR	R1070			NRSA63J-470X	MG RESISTOR
R931			NRSA63J-103X	MG RESISTOR	R1201			NRSA63J-0R0X	MG RESISTOR
R933			NRSA63J-103X	MG RESISTOR	R1202			NRSA63J-0R0X	MG RESISTOR
R934			NRSA63J-103X	MG RESISTOR	R1205			NRSA63J-103X	MG RESISTOR
R935			NRSA63J-332X	MG RESISTOR	R1401			NRSA63J-0R0X	MG RESISTOR
R937			NRSA63J-183X	MG RESISTOR	R1402			NRSA63J-102X	MG RESISTOR
R938			NRSA63J-391X	MG RESISTOR	R1403			NRSA63J-0R0X	MG RESISTOR
R939			NRSA63J-102X	MG RESISTOR	R1404			NRSA63J-103X	MG RESISTOR
R940			NRSA63J-122X	MG RESISTOR	R1405			NRSA63J-103X	MG RESISTOR
R943			NRSA63J-471X	MG RESISTOR	R1406			NRSA63J-103X	MG RESISTOR
R946			NRVA63D-104X	CMF RESISTOR	R1407			NRSA63J-103X	MG RESISTOR
R947			NRVA63D-513X	CMF RESISTOR	R1409			NRSA63J-103X	MG RESISTOR
R950			NRSA63J-102X	MG RESISTOR	R1410			NRSA63J-103X	MG RESISTOR
R1001			NRSA63J-471X	MG RESISTOR	R1411			NRSA63J-103X	MG RESISTOR
R1002			NRSA63J-471X	MG RESISTOR	R1412			NRSA63J-103X	MG RESISTOR
R1003			NRSA63J-471X	MG RESISTOR	R1413			NRSA63J-103X	MG RESISTOR
R1004			NRSA63J-471X	MG RESISTOR	R1414			NRSA63J-0R0X	MG RESISTOR
R1005			NRSA63J-471X	MG RESISTOR	R1415			NRSA63J-0R0X	MG RESISTOR
R1006			NRSA63J-103X	MG RESISTOR	R1416			NRSA63J-0R0X	MG RESISTOR
R1008			NRSA63J-332X	MG RESISTOR	R1417			NRSA63J-0R0X	MG RESISTOR
R1009			NRSA63J-122X	MG RESISTOR	R1419			NRSA63J-0R0X	MG RESISTOR
R1010			NRSA63J-101X	MG RESISTOR	R1421			NRSA63J-0R0X	MG RESISTOR
R1011			NRSA63J-0R0X	MG RESISTOR	R1423			NRSA63J-103X	MG RESISTOR

#	△ REF No.	PART No.	PART NAME, DESCRIPTION	#	△ REF No.	PART No.	PART NAME, DESCRIPTION
R1424		NRSA63J-103X	MG RESISTOR 10kΩ,1/16W	R1819		NRSA63J-103X	MG RESISTOR 10kΩ,1/16W
R1425		NRSA63J-103X	MG RESISTOR 10kΩ,1/16W	R1820		NRSA63J-103X	MG RESISTOR 10kΩ,1/16W
R1426		NRSA63J-103X	MG RESISTOR 10kΩ,1/16W	R1821		NRSA63J-472X	MG RESISTOR 4.7kΩ,1/16W
R1427		NRSA63J-103X	MG RESISTOR 10kΩ,1/16W	R1822		NRSA63J-472X	MG RESISTOR 4.7kΩ,1/16W
R1428		NRSA63J-103X	MG RESISTOR 10kΩ,1/16W	R1823		NRSA63J-103X	MG RESISTOR 10kΩ,1/16W
R1429		NRSA63J-0R0X	MG RESISTOR 0Ω,1/16W	R1824		NRSA63J-103X	MG RESISTOR 10kΩ,1/16W
R1601		NRSA63J-0R0X	MG RESISTOR 0Ω,1/16W	R1825		NRSA63J-103X	MG RESISTOR 10kΩ,1/16W
R1606		NRSA63J-0R0X	MG RESISTOR 0Ω,1/16W	R1826		NRSA63J-103X	MG RESISTOR 10kΩ,1/16W
R1608		NRSA63J-103X	MG RESISTOR 10kΩ,1/16W	R1827		NRSA63J-472X	MG RESISTOR 4.7kΩ,1/16W
R1609		NRSA63J-103X	MG RESISTOR 10kΩ,1/16W	R1828		NRSA63J-472X	MG RESISTOR 4.7kΩ,1/16W
R1610		NRSA63J-0R0X	MG RESISTOR 0Ω,1/16W	R1829		NRSA63J-221X	MG RESISTOR 220Ω,1/16W
R1611		NRSA63J-103X	MG RESISTOR 10kΩ,1/16W	R1830		NRSA63J-221X	MG RESISTOR 220Ω,1/16W
R1612		NRSA63J-472X	MG RESISTOR 4.7kΩ,1/16W	R1831		NRSA63J-331X	MG RESISTOR 330Ω,1/16W
R1613		NRSA63J-0R0X	MG RESISTOR 0Ω,1/16W	R1832		NRSA63J-100X	MG RESISTOR 10Ω,1/16W
R1614		NRSA63J-0R0X	MG RESISTOR 0Ω,1/16W	R1840		NRSA63J-0R0X	MG RESISTOR 0Ω,1/16W
R1615		NRSA63J-0R0X	MG RESISTOR 0Ω,1/16W	R1841		NRSA63J-104X	MG RESISTOR 100kΩ,1/16W
R1619		NRSA63J-0R0X	MG RESISTOR 0Ω,1/16W	R1842		NRSA63J-0R0X	MG RESISTOR 0Ω,1/16W
R1620		NRSA63J-0R0X	MG RESISTOR 0Ω,1/16W	R1843		NRSA63J-0R0X	MG RESISTOR 0Ω,1/16W
R1621		NRSA63J-0R0X	MG RESISTOR 0Ω,1/16W	RA1		NRZ0040-103X	NETWORK RESISTOR 10kΩ
R1622		NRSA63J-0R0X	MG RESISTOR 0Ω,1/16W	RA201		NRZ0040-103X	NETWORK RESISTOR 10kΩ
R1623		NRSA63J-0R0X	MG RESISTOR 0Ω,1/16W	RA202		NRZ0040-103X	NETWORK RESISTOR 10kΩ
R1624		NRSA63J-0R0X	MG RESISTOR 0Ω,1/16W	RA203		NRZ0040-103X	NETWORK RESISTOR 10kΩ
R1626		NRSA63J-103X	MG RESISTOR 10kΩ,1/16W	RA204		NRZ0040-0R0X	NETWORK RESISTOR 0Ω
R1627		NRSA63J-103X	MG RESISTOR 10kΩ,1/16W	RA205		NRZ0040-0R0X	NETWORK RESISTOR 0Ω
R1628		NRSA63J-103X	MG RESISTOR 10kΩ,1/16W	RA206		NRZ0040-0R0X	NETWORK RESISTOR 0Ω
R1701		NRSA63J-0R0X	MG RESISTOR 0Ω,1/16W	RA207		NRZ0040-0R0X	NETWORK RESISTOR 0Ω
R1706		NRSA63J-0R0X	MG RESISTOR 0Ω,1/16W	RA208		NRZ0040-0R0X	NETWORK RESISTOR 0Ω
R1708		NRSA63J-103X	MG RESISTOR 10kΩ,1/16W	RA209		NRZ0040-0R0X	NETWORK RESISTOR 0Ω
R1709		NRSA63J-103X	MG RESISTOR 10kΩ,1/16W	RA210		NRZ0040-0R0X	NETWORK RESISTOR 0Ω
R1710		NRSA63J-0R0X	MG RESISTOR 0Ω,1/16W	RA601		NRZ0040-0R0X	NETWORK RESISTOR 0Ω
R1711		NRSA63J-103X	MG RESISTOR 10kΩ,1/16W	RA602		NRZ0040-0R0X	NETWORK RESISTOR 0Ω
R1712		NRSA63J-472X	MG RESISTOR 4.7kΩ,1/16W	RA603		NRZ0040-472X	NETWORK RESISTOR 4.7kΩ
R1713		NRSA63J-0R0X	MG RESISTOR 0Ω,1/16W	RA604		NRZ0040-472X	NETWORK RESISTOR 4.7kΩ
R1714		NRSA63J-0R0X	MG RESISTOR 0Ω,1/16W	RA605		NRZ0040-472X	NETWORK RESISTOR 4.7kΩ
R1715		NRSA63J-0R0X	MG RESISTOR 0Ω,1/16W	RA606		NRZ0040-472X	NETWORK RESISTOR 4.7kΩ
R1719		NRSA63J-0R0X	MG RESISTOR 0Ω,1/16W	RA607		NRZ0040-472X	NETWORK RESISTOR 4.7kΩ
R1720		NRSA63J-0R0X	MG RESISTOR 0Ω,1/16W	RA608		NRZ0040-472X	NETWORK RESISTOR 4.7kΩ
R1721		NRSA63J-0R0X	MG RESISTOR 0Ω,1/16W	RA609		NRZ0040-472X	NETWORK RESISTOR 4.7kΩ
R1722		NRSA63J-0R0X	MG RESISTOR 0Ω,1/16W	RA610		NRZ0040-0R0X	NETWORK RESISTOR 0Ω
R1723		NRSA63J-0R0X	MG RESISTOR 0Ω,1/16W	RA611		NRZ0040-0R0X	NETWORK RESISTOR 0Ω
R1724		NRSA63J-0R0X	MG RESISTOR 0Ω,1/16W	RA612		NRZ0040-472X	NETWORK RESISTOR 4.7kΩ
R1726		NRSA63J-103X	MG RESISTOR 10kΩ,1/16W	RA613		NRZ0040-472X	NETWORK RESISTOR 4.7kΩ
R1727		NRSA63J-103X	MG RESISTOR 10kΩ,1/16W	RA1001		NRZ0040-103X	NETWORK RESISTOR 10kΩ
R1728		NRSA63J-103X	MG RESISTOR 10kΩ,1/16W	RA1003		NRZ0040-103X	NETWORK RESISTOR 10kΩ
R1801		NRSA63J-182X	MG RESISTOR 1.8kΩ,1/16W	RA1004		NRZ0040-103X	NETWORK RESISTOR 10kΩ
R1802		NRSA63J-182X	MG RESISTOR 1.8kΩ,1/16W	RA1401		NRZ0040-103X	NETWORK RESISTOR 10kΩ
R1803		NRSA63J-182X	MG RESISTOR 1.8kΩ,1/16W	RA1402		NRZ0040-103X	NETWORK RESISTOR 10kΩ
R1804		NRSA63J-182X	MG RESISTOR 1.8kΩ,1/16W	RA1403		NRZ0040-103X	NETWORK RESISTOR 10kΩ
R1805		NRSA63J-0R0X	MG RESISTOR 0Ω,1/16W	RA1404		NRZ0040-103X	NETWORK RESISTOR 10kΩ
R1806		NRSA63J-0R0X	MG RESISTOR 0Ω,1/16W	RA1601		NRZ0040-103X	NETWORK RESISTOR 10kΩ
R1807		NRSA63J-103X	MG RESISTOR 10kΩ,1/16W	RA1602		NRZ0040-103X	NETWORK RESISTOR 10kΩ
R1808		NRSA63J-103X	MG RESISTOR 10kΩ,1/16W	RA1603		NRZ0040-103X	NETWORK RESISTOR 10kΩ
R1809		NRSA63J-100X	MG RESISTOR 10Ω,1/16W	RA1701		NRZ0040-103X	NETWORK RESISTOR 10kΩ
R1810		NRSA63J-100X	MG RESISTOR 10Ω,1/16W	RA1702		NRZ0040-103X	NETWORK RESISTOR 10kΩ
R1811		NRSA63J-102X	MG RESISTOR 1kΩ,1/16W	RA1703		NRZ0040-103X	NETWORK RESISTOR 10kΩ
R1813		NRSA63J-103X	MG RESISTOR 10kΩ,1/16W	B202		NRSA63J-0R0X	MG RESISTOR 0Ω,1/16W
R1814		NRSA63J-103X	MG RESISTOR 10kΩ,1/16W	B203		NRSA63J-0R0X	MG RESISTOR 0Ω,1/16W
R1815		NRSA63J-103X	MG RESISTOR 10kΩ,1/16W	B207		NRSA63J-0R0X	MG RESISTOR 0Ω,1/16W
R1816		NRSA63J-103X	MG RESISTOR 10kΩ,1/16W	B208		NRSA63J-0R0X	MG RESISTOR 0Ω,1/16W
R1817		NRSA63J-103X	MG RESISTOR 10kΩ,1/16W	B209		NRSA63J-0R0X	MG RESISTOR 0Ω,1/16W
R1818		NRSA63J-103X	MG RESISTOR 10kΩ,1/16W	B210		NRSA63J-0R0X	MG RESISTOR 0Ω,1/16W

#	△	REF No.	PART No.	PART NAME, DESCRIPTION	#	△	REF No.	PART No.	PART NAME, DESCRIPTION	
B211			NRSA63J-0R0X	MG RESISTOR	0Ω,1/16W	C204		NBE20JM-226X	T CAPACITOR	22μF,6.3V
B213			NRSA63J-0R0X	MG RESISTOR	0Ω,1/16W	C205		NCB31CK-104X	CAPACITOR	0.1μF,16V
B214			NRSA63J-0R0X	MG RESISTOR	0Ω,1/16W	C206		NBE20JM-226X	T CAPACITOR	22μF,6.3V
B401			NRSA63J-0R0X	MG RESISTOR	0Ω,1/16W	C207		NCB31CK-104X	CAPACITOR	0.1μF,16V
B402			NRSA63J-0R0X	MG RESISTOR	0Ω,1/16W	C208		NCB31CK-104X	CAPACITOR	0.1μF,16V
B808			NRSA63J-0R0X	MG RESISTOR	0Ω,1/16W	C209		NCB31CK-104X	CAPACITOR	0.1μF,16V
B809			NRSA63J-0R0X	MG RESISTOR	0Ω,1/16W	C210		NCB31CK-104X	CAPACITOR	0.1μF,16V
B810			NRSA63J-0R0X	MG RESISTOR	0Ω,1/16W	C211		NCB31CK-104X	CAPACITOR	0.1μF,16V
B821			NRSA63J-0R0X	MG RESISTOR	0Ω,1/16W	C212		NCB31CK-104X	CAPACITOR	0.1μF,16V
B823			NRSA63J-0R0X	MG RESISTOR	0Ω,1/16W	C213		NCB31CK-104X	CAPACITOR	0.1μF,16V
B825			NRSA63J-0R0X	MG RESISTOR	0Ω,1/16W	C214		NCB31CK-104X	CAPACITOR	0.1μF,16V
B1006			NRSA63J-0R0X	MG RESISTOR	0Ω,1/16W	C215		NCB31CK-104X	CAPACITOR	0.1μF,16V
B1007			NRSA63J-0R0X	MG RESISTOR	0Ω,1/16W	C216		NCB31CK-104X	CAPACITOR	0.1μF,16V
B1008			NRSA63J-0R0X	MG RESISTOR	0Ω,1/16W	C217		NBE20JM-226X	T CAPACITOR	22μF,6.3V
B1009			NRSA63J-0R0X	MG RESISTOR	0Ω,1/16W	C218		NCB31CK-104X	CAPACITOR	0.1μF,16V
B1010			NRSA63J-0R0X	MG RESISTOR	0Ω,1/16W	C219		NDC31HJ-100X	CAPACITOR	10pF,50V
B1401			NRSA63J-0R0X	MG RESISTOR	0Ω,1/16W	C220		NCF31AZ-105X	CAPACITOR	1μF,10V
B1402			NRSA63J-0R0X	MG RESISTOR	0Ω,1/16W	C221		NDC31HJ-100X	CAPACITOR	10pF,50V
C1			NCB31CK-104X	CAPACITOR	0.1μF,16V	C222		NDC31HJ-120X	CAPACITOR	12pF,50V
C2			NCB31CK-104X	CAPACITOR	0.1μF,16V	C223		NDC31HJ-120X	CAPACITOR	12pF,50V
C3			NCB31CK-104X	CAPACITOR	0.1μF,16V	C224		NCB31CK-104X	CAPACITOR	0.1μF,16V
C4			NDC31HJ-100X	CAPACITOR	10pF,50V	C225		NCF31AZ-105X	CAPACITOR	1μF,10V
C5			NDC31HJ-100X	CAPACITOR	10pF,50V	C226		NCB31HK-102X	CAPACITOR	0.001μF,50V
C6			NCB31CK-104X	CAPACITOR	0.1μF,16V	C227		NCB31HK-103X	CAPACITOR	0.01μF,50V
C7			NCB31CK-104X	CAPACITOR	0.1μF,16V	C228		NCB31EK-103X	CAPACITOR	0.01μF,25V
C8			NCB31CK-104X	CAPACITOR	0.1μF,16V	C229		NCB31EK-103X	CAPACITOR	0.01μF,25V
C9			NCB31CK-104X	CAPACITOR	0.1μF,16V	C230		NDC31HJ-4R0X	CAPACITOR	4pF,50V
C10			NCB31HK-472X	CAPACITOR	0.0047μF,50V	C232		NCB31HK-102X	CAPACITOR	0.001μF,50V
C12			NDC31HJ-101X	CAPACITOR	100pF,50V	C233		NCF31AZ-105X	CAPACITOR	1μF,10V
C13			NCB31CK-104X	CAPACITOR	0.1μF,16V	C234		NCB31EK-103X	CAPACITOR	0.01μF,25V
C14			NCB31CK-104X	CAPACITOR	0.1μF,16V	C235		NCB31EK-103X	CAPACITOR	0.01μF,25V
C15			NCB31CK-104X	CAPACITOR	0.1μF,16V	C236		NCB31EK-103X	CAPACITOR	0.01μF,25V
C16			NCB31CK-104X	CAPACITOR	0.1μF,16V	C237		NCB31CK-473X	CAPACITOR	0.047μF,16V
C17			NCB31CK-104X	CAPACITOR	0.1μF,16V	C238		NDC31HJ-101X	CAPACITOR	100pF,50V
C18			NCB31CK-104X	CAPACITOR	0.1μF,16V	C239		NDC31HJ-120X	CAPACITOR	12pF,50V
C19			NCB31CK-104X	CAPACITOR	0.1μF,16V	C240		NDC31HJ-120X	CAPACITOR	12pF,50V
C21			NCB31CK-104X	CAPACITOR	0.1μF,16V	C241		NCB31CK-104X	CAPACITOR	0.1μF,16V
C23			NCB31CK-104X	CAPACITOR	0.1μF,16V	C242		NCB31CK-104X	CAPACITOR	0.1μF,16V
C24			NCB31CK-104X	CAPACITOR	0.1μF,16V	C243		NDC31HJ-271X	CAPACITOR	270pF,50V
C25			NCB31CK-104X	CAPACITOR	0.1μF,16V	C244		NCF31AZ-105X	CAPACITOR	1μF,10V
C26			NCB31CK-104X	CAPACITOR	0.1μF,16V	C245		NDC31HJ-271X	CAPACITOR	270pF,50V
C27			NCB31CK-104X	CAPACITOR	0.1μF,16V	C246		NCF31AZ-105X	CAPACITOR	1μF,10V
C28			NDC31HJ-470X	CAPACITOR	47pF,50V	C247		NCB31CK-104X	CAPACITOR	0.1μF,16V
C29			NDC31HJ-470X	CAPACITOR	47pF,50V	C248		NCB31CK-104X	CAPACITOR	0.1μF,16V
C30			NDC31HJ-470X	CAPACITOR	47pF,50V	C249		NCB31EK-103X	CAPACITOR	0.01μF,25V
C31			NDC31HJ-470X	CAPACITOR	47pF,50V	C250		NCB31EK-103X	CAPACITOR	0.01μF,25V
C32			NDC31HJ-470X	CAPACITOR	47pF,50V	C254		NCB31EK-103X	CAPACITOR	0.01μF,25V
C33			NDC31HJ-470X	CAPACITOR	47pF,50V	C255		NDC31HJ-100X	CAPACITOR	10pF,50V
C34			NDC31HJ-470X	CAPACITOR	47pF,50V	C256		NDC31HJ-100X	CAPACITOR	10pF,50V
C35			NDC31HJ-470X	CAPACITOR	47pF,50V	C257		NCB31EK-103X	CAPACITOR	0.01μF,25V
C36			NDC31HJ-470X	CAPACITOR	47pF,50V	C258		NBE20JM-226X	T CAPACITOR	22μF,6.3V
C37			NDC31HJ-470X	CAPACITOR	47pF,50V	C404		NCB31CK-104X	CAPACITOR	0.1μF,16V
C38			NDC31HJ-470X	CAPACITOR	47pF,50V	C407		NEA70JM-476X	E CAPACITOR	47μF,6.3V
C39			NDC31HJ-470X	CAPACITOR	47pF,50V	C408		NCB31EK-103X	CAPACITOR	0.01μF,25V
C40			NDC31HJ-470X	CAPACITOR	47pF,50V	C409		NCB21CK-105X	CAPACITOR	1μF,16V
C41			NDC31HJ-470X	CAPACITOR	47pF,50V	C410		NEA70JM-476X	E CAPACITOR	47μF,6.3V
C46			NCB31CK-104X	CAPACITOR	0.1μF,16V	C411		NCB31EK-103X	CAPACITOR	0.01μF,25V
C47			NCB30JK-105X	CAPACITOR	1μF,6.3V	C412		NCB31CK-104X	CAPACITOR	0.1μF,16V
C201			NEA70JM-476X	E CAPACITOR	47μF,6.3V	C413		NDC31HJ-150X	CAPACITOR	15pF,50V
C202			NBE20JM-226X	T CAPACITOR	22μF,6.3V	C414		NCB31EK-153X	CAPACITOR	0.015μF,25V
C203			NCB31CK-104X	CAPACITOR	0.1μF,16V	C415		NCF31AZ-105X	CAPACITOR	1μF,10V

#	△ REF No.	PART No.	PART NAME, DESCRIPTION	#	△ REF No.	PART No.	PART NAME, DESCRIPTION
C416		NCB31CK-104X	CAPACITOR 0.1μF,16V	C637		NDC31HJ-470X	CAPACITOR 47pF,50V
C417		NEA71CM-476X	E CAPACITOR 47μF,16V	C638		NDC31HJ-470X	CAPACITOR 47pF,50V
C422		NCB31CK-104X	CAPACITOR 0.1μF,16V	C639		NDC31HJ-470X	CAPACITOR 47pF,50V
C425		NEA70JM-476X	E CAPACITOR 47μF,6.3V	C640		NDC31HJ-470X	CAPACITOR 47pF,50V
C426		NCB21CK-105X	CAPACITOR 1μF,16V	C641		NDC31HJ-470X	CAPACITOR 47pF,50V
C427		NEA70JM-476X	E CAPACITOR 47μF,6.3V	C642		NDC31HJ-470X	CAPACITOR 47pF,50V
C428		NCB31EK-103X	CAPACITOR 0.01μF,25V	C643		NDC31HJ-470X	CAPACITOR 47pF,50V
C429		NCB31CK-104X	CAPACITOR 0.1μF,16V	C644		NDC31HJ-470X	CAPACITOR 47pF,50V
C430		NDC31HJ-150X	CAPACITOR 15pF,50V	C645		NDC31HJ-470X	CAPACITOR 47pF,50V
C431		NCB31EK-153X	CAPACITOR 0.015μF,25V	C646		NDC31HJ-470X	CAPACITOR 47pF,50V
C432		NCF31AZ-105X	CAPACITOR 1μF,10V	C647		NDC31HJ-470X	CAPACITOR 47pF,50V
C433		NCB31CK-104X	CAPACITOR 0.1μF,16V	C648		NDC31HJ-470X	CAPACITOR 47pF,50V
C434		NEA71CM-476X	E CAPACITOR 47μF,16V	C649		NDC31HJ-470X	CAPACITOR 47pF,50V
C436		NCB31CK-104X	CAPACITOR 0.1μF,16V	C650		NDC31HJ-470X	CAPACITOR 47pF,50V
C437		NBE20JM-226X	T CAPACITOR 22μF,6.3V	C651		NDC31HJ-470X	CAPACITOR 47pF,50V
C438		NCB31EK-103X	CAPACITOR 0.01μF,25V	C652		NDC31HJ-470X	CAPACITOR 47pF,50V
C439		NCB31CK-104X	CAPACITOR 0.1μF,16V	C653		NDC31HJ-470X	CAPACITOR 47pF,50V
C441		NCB31EK-103X	CAPACITOR 0.01μF,25V	C654		NCB31CK-104X	CAPACITOR 0.1μF,16V
C442		NEA71CM-476X	E CAPACITOR 47μF,16V	C655		NCB31EK-103X	CAPACITOR 0.01μF,25V
C443		NCB31EK-103X	CAPACITOR 0.01μF,25V	C656		NCB31CK-104X	CAPACITOR 0.1μF,16V
C444		NCB21EK-104X	CAPACITOR 0.1μF,25V	C657		NCB31EK-103X	CAPACITOR 0.01μF,25V
C446		NCB31CK-104X	CAPACITOR 0.1μF,16V	C658		NCB31CK-104X	CAPACITOR 0.1μF,16V
C447		NBE20JM-226X	T CAPACITOR 22μF,6.3V	C659		NCB31EK-103X	CAPACITOR 0.01μF,25V
C448		NCB31EK-103X	CAPACITOR 0.01μF,25V	C660		NCB31CK-104X	CAPACITOR 0.1μF,16V
C449		NCB31CK-104X	CAPACITOR 0.1μF,16V	C661		NCB31EK-103X	CAPACITOR 0.01μF,25V
C451		NEA71CM-476X	E CAPACITOR 47μF,16V	C662		NBSH0GM-477X	OS E CAPACITOR 470μF,4V
C452		NCB31EK-103X	CAPACITOR 0.01μF,25V	C801		NEA71CM-476X	E CAPACITOR 47μF,16V
C453		NCB21EK-104X	CAPACITOR 0.1μF,25V	C802		NEA70JM-107X	E CAPACITOR 100μF,6.3V
C601		NCB31CK-104X	CAPACITOR 0.1μF,16V	C803		NEA71CM-476X	E CAPACITOR 47μF,16V
C602		NBE20JM-226X	T CAPACITOR 22μF,6.3V	C805		NBE20JM-226X	T CAPACITOR 22μF,6.3V
C603		NBE20JM-226X	T CAPACITOR 22μF,6.3V	C806		NBE20JM-226X	T CAPACITOR 22μF,6.3V
C604		NCB31CK-104X	CAPACITOR 0.1μF,16V	C807		NEA70JM-476X	E CAPACITOR 47μF,6.3V
C605		NBE20JM-226X	T CAPACITOR 22μF,6.3V	C808		NBE40JM-476X	T CAPACITOR 47μF,6.3V
C606		NBE20JM-226X	T CAPACITOR 22μF,6.3V	C809		NBE40JM-476X	T CAPACITOR 47μF,6.3V
C607		NCB31CK-104X	CAPACITOR 0.1μF,16V	C810		NBE40JM-476X	T CAPACITOR 47μF,6.3V
C608		NCB31CK-104X	CAPACITOR 0.1μF,16V	C811		NBE40JM-476X	T CAPACITOR 47μF,6.3V
C609		NCB31CK-104X	CAPACITOR 0.1μF,16V	C812		NEA71CM-476X	E CAPACITOR 47μF,16V
C610		NCB31CK-104X	CAPACITOR 0.1μF,16V	C813		NEA70JM-226X	E CAPACITOR 22μF,6.3V
C611		NCB31CK-104X	CAPACITOR 0.1μF,16V	C814		NEA71CM-476X	E CAPACITOR 47μF,16V
C612		NCB31CK-104X	CAPACITOR 0.1μF,16V	C815		NEA70JM-107X	E CAPACITOR 100μF,6.3V
C613		NCB31CK-104X	CAPACITOR 0.1μF,16V	C821		NCB31CK-104X	CAPACITOR 0.1μF,16V
C614		NCB31CK-104X	CAPACITOR 0.1μF,16V	C822		NCB31CK-104X	CAPACITOR 0.1μF,16V
C615		NCB31CK-104X	CAPACITOR 0.1μF,16V	C823		NCB31CK-104X	CAPACITOR 0.1μF,16V
C616		NCB31CK-104X	CAPACITOR 0.1μF,16V	C824		NCB31CK-104X	CAPACITOR 0.1μF,16V
C617		NCB31CK-104X	CAPACITOR 0.1μF,16V	C825		NCB31CK-104X	CAPACITOR 0.1μF,16V
C618		NCB31CK-104X	CAPACITOR 0.1μF,16V	C826		NCB31CK-104X	CAPACITOR 0.1μF,16V
C619		NCB31CK-104X	CAPACITOR 0.1μF,16V	C827		NCB31CK-104X	CAPACITOR 0.1μF,16V
C620		NCB31CK-104X	CAPACITOR 0.1μF,16V	C828		NCB31CK-104X	CAPACITOR 0.1μF,16V
C621		NCB31CK-104X	CAPACITOR 0.1μF,16V	C829		NCB31CK-104X	CAPACITOR 0.1μF,16V
C622		NCB31CK-104X	CAPACITOR 0.1μF,16V	C830		NCB31CK-104X	CAPACITOR 0.1μF,16V
C623		NCB31CK-104X	CAPACITOR 0.1μF,16V	C832		NCB31CK-104X	CAPACITOR 0.1μF,16V
C624		NCB31CK-104X	CAPACITOR 0.1μF,16V	C834		NCB31CK-104X	CAPACITOR 0.1μF,16V
C625		NCB31CK-104X	CAPACITOR 0.1μF,16V	C836		NCB31CK-104X	CAPACITOR 0.1μF,16V
C626		NCB31CK-104X	CAPACITOR 0.1μF,16V	C838		NCB31CK-104X	CAPACITOR 0.1μF,16V
C627		NCB31CK-104X	CAPACITOR 0.1μF,16V	C840		NCB20JM-475X	CAPACITOR 4.7μF,6.3V
C628		NCB31CK-104X	CAPACITOR 0.1μF,16V	C841		NCB31CK-104X	CAPACITOR 0.1μF,16V
C629		NDC31HJ-100X	CAPACITOR 10pF,50V	C842		NCB31EK-103X	CAPACITOR 0.01μF,25V
C630		NDC31HJ-100X	CAPACITOR 10pF,50V	C843		NCB31EK-103X	CAPACITOR 0.01μF,25V
C631		NCB31CK-104X	CAPACITOR 0.1μF,16V	C846		NCB31CK-104X	CAPACITOR 0.1μF,16V
C635		NDC31HJ-470X	CAPACITOR 47pF,50V	C847		NCB31CK-104X	CAPACITOR 0.1μF,16V
C636		NDC31HJ-470X	CAPACITOR 47pF,50V	C848		NDC31HJ-680X	CAPACITOR 68pF,50V

#	△ REF No.	PART No.	PART NAME, DESCRIPTION
C1832		NCB31CK-104X	CAPACITOR 0.1μF,16V
C1833		NCB31CK-104X	CAPACITOR 0.1μF,16V
C1838		NCB31HK-102X	CAPACITOR 0.001μF,50V
C1842		NCB31CK-104X	CAPACITOR 0.1μF,16V
L201		NQL144K-100X	COIL 10μH
L202		NQR0444-001X	COIL
L203		NQR0444-001X	COIL
L401		NQL144K-100X	COIL 10μH
L402		NQL144K-100X	COIL 10μH
L403		NQL024J-8R2X	COIL 8.2μH
L404		NQL144K-100X	COIL 10μH
L405		NQL144K-100X	COIL 10μH
L406		NQL144K-100X	COIL 10μH
L407		NQL024J-8R2X	COIL 8.2μH
L408		NQL144K-100X	COIL 10μH
L409		NQL144K-100X	COIL 10μH
L411		NQL144K-100X	COIL 10μH
L412		NQL144K-100X	COIL 10μH
L414		NQL144K-100X	COIL 10μH
L601		NQL144K-100X	COIL 10μH
L801		NQL144K-100X	COIL 10μH
L802		NQL024J-100X	COIL 10μH
L803		NQL144K-100X	COIL 10μH
L807		NQL144K-100X	COIL 10μH
L808		NQL024J-100X	COIL 10μH
L1001		NQL144K-100X	COIL 10μH
L1002		NQL144K-100X	COIL 10μH
L1801		NQL144K-100X	COIL 10μH
L1802		NQL144K-100X	COIL 10μH
L1803		NQL144K-100X	COIL 10μH
LC801		PELN1148-223X	NOISE FILTER
LC802		PELN1148-223X	NOISE FILTER
LC803		PELN1148-223X	NOISE FILTER
LC804		PELN1148-223X	NOISE FILTER
LC805		PELN1148-223X	NOISE FILTER
LC806		PELN1148-223X	NOISE FILTER
LC807		PELN1148-223X	NOISE FILTER
LC808		PELN1148-223X	NOISE FILTER
X1		NAX0422-001X	CRYSTAL RESONATOR
X201		NAX0423-001X	CRYSTAL RESONATOR
X202		QAX0541-001	CRYSTAL RESONATOR
X203		NAX0336-001X	CRYSTAL RESONATOR
X601		NAX0338-001X	CRYSTAL RESONATOR
K1		PELN0984-150Y	NOISE FILTER
K2		PELN0984-150Y	NOISE FILTER
K201		PELN0984-150Y	NOISE FILTER
K202		PELN0984-150Y	NOISE FILTER
K203		PELN0984-150Y	NOISE FILTER
K204		NQR0129-002X	FERRITE BEAD
K205		NQR0129-002X	FERRITE BEAD
K206		NQR0129-002X	FERRITE BEAD
K207		NQR0129-002X	FERRITE BEAD
K208		NQR0129-002X	FERRITE BEAD
K209		NRSA63J-0R0X	MG RESISTOR 0Ω,1/16W
K210		NRSA63J-0R0X	MG RESISTOR 0Ω,1/16W
K211		NRSA63J-0R0X	MG RESISTOR 0Ω,1/16W
K212		NRSA63J-0R0X	MG RESISTOR 0Ω,1/16W
K213		NQR0129-002X	FERRITE BEAD
K214		NRSA63J-0R0X	MG RESISTOR 0Ω,1/16W
K215		NRSA63J-0R0X	MG RESISTOR 0Ω,1/16W
K216		NRSA63J-0R0X	MG RESISTOR 0Ω,1/16W

#	△ REF No.	PART No.	PART NAME, DESCRIPTION
K217		NQR0129-002X	FERRITE BEAD
K219		NRSA63J-0R0X	MG RESISTOR 0Ω,1/16W
K220		NRSA63J-0R0X	MG RESISTOR 0Ω,1/16W
K221		PELN0984-150Y	NOISE FILTER
K225		NRSA63J-0R0X	MG RESISTOR 0Ω,1/16W
K601		NQR0129-002X	FERRITE BEAD
K602		PELN0984-150Y	NOISE FILTER
K603		NQR0339-001X	FERRITE BEAD
K604		NQR0339-001X	FERRITE BEAD
K1001		NQR0339-001X	FERRITE BEAD
K1002		PELN0984-150Y	NOISE FILTER
K1003		NQR0339-001X	FERRITE BEAD
K1004		NQR0129-002X	FERRITE BEAD
K1005		NQR0129-002X	FERRITE BEAD
K1201		PELN0984-150Y	NOISE FILTER
K1401		NQR0129-002X	FERRITE BEAD
K1402		PELN0984-150Y	NOISE FILTER
K1403		PELN0984-150Y	NOISE FILTER
K1404		NQR0129-002X	FERRITE BEAD
K1601		PELN0984-150Y	NOISE FILTER
K1602		PELN0984-150Y	NOISE FILTER
K1603		NQR0129-002X	FERRITE BEAD
K1701		PELN0984-150Y	NOISE FILTER
K1702		PELN0984-150Y	NOISE FILTER
K1703		NQR0129-002X	FERRITE BEAD
J202		QNZ0486-001	D CONNECTOR
OT1		LP40728-001A	SHEET(DIGITAL)
OT2		LP40769-001A	SPACER,X3
SD1		LP20971-001A	SHIELD FRAME(D-VHS)
SD2		LP20972-001A	SHIELD COVER(D-VHS)
SD3		LP20973-001A	SHIELD COVER(D-VHS)
FL401		NQR0336-001X	LOW PASS FILTER
FL402		NQR0336-001X	LOW PASS FILTER
FL801		NQR0393-001X	LOW PASS FILTER
FL802		NQR0393-001X	LOW PASS FILTER
FL803		NQR0393-001X	LOW PASS FILTER
FL804		NQR0392-001X	LOW PASS FILTER
FL805		NQR0392-001X	LOW PASS FILTER
FL806		NQR0392-001X	LOW PASS FILTER
FL807		NQR0392-001X	LOW PASS FILTER
CN401		QGA2001F2-04V	CONNECTOR,(1-4)D-PRE/REC
CN402		QGA2001F2-04V	CONNECTOR,(1-4)D-PRE/REC
CN8002		QGF1016F2-16W	FFC/FPC CONNECTOR,(1-16)MAIN
CN8003		QGF1016F2-05W	FFC/FPC CONNECTOR,(1-5)
CN8201		QGA1201C2-06X	CONNECTOR,(1-6)FRONT 1394
CN8801		QGA2001F2-04V	CONNECTOR,(1-4)SUB REG
CN8802		QGA2001F2-12V	CONNECTOR,(1-12)SW.REG
CN8803		QGF1016F2-09W	FFC/FPC CONNECTOR,(1-9)TERMINAL
CN9801		QGF1224F1-12X	FFC/FPC CONNECTOR,(1-12)MAIN

LOADING MOTOR BOARD ASSEMBLY <55>

PW2	LPA10010-01A2	LOADING MOTOR BOARD ASSY
CN1	QGB2533K1-02	CONNECTOR